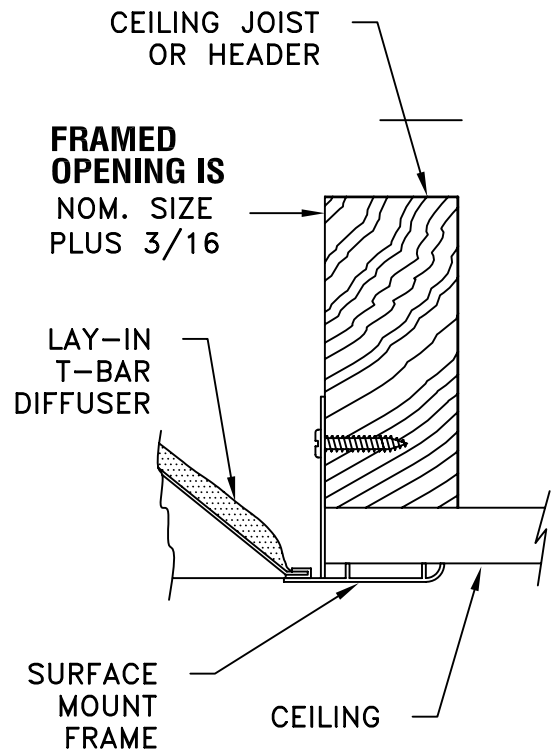
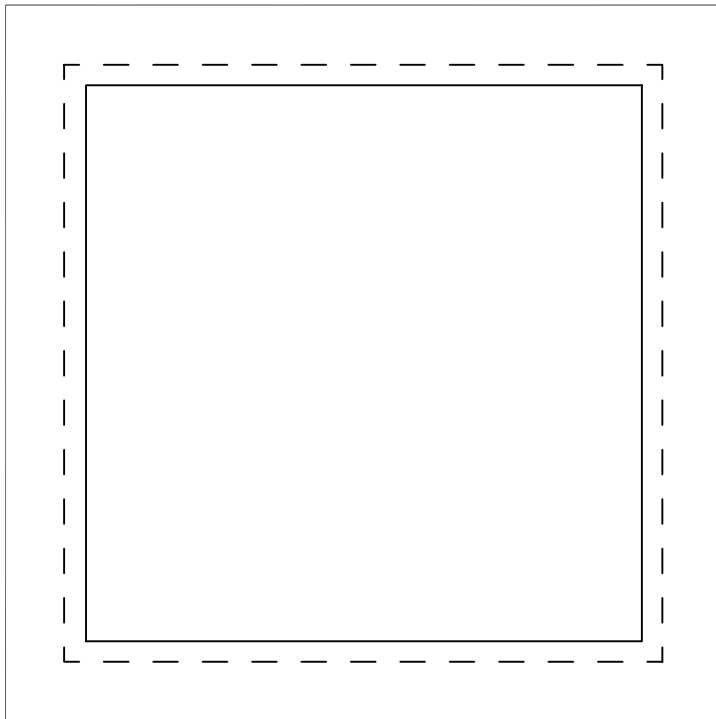
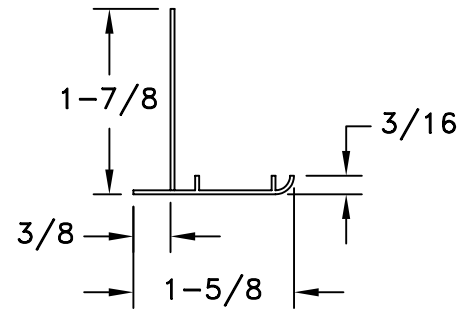
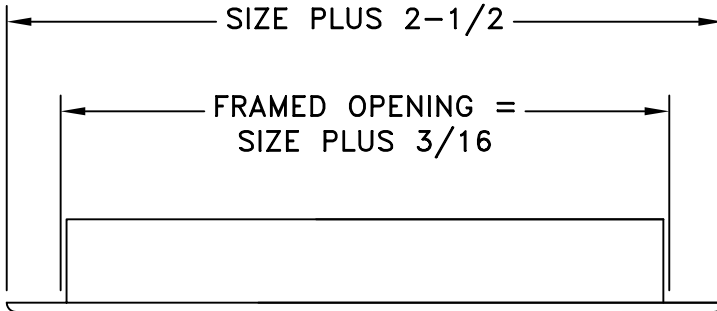


- ACCEPTS STANDARD T-BAR DIFFUSERS WITH NOMINAL LISTED SIZES: 12 X 12, 24 X 24, 24 X 12, 24 X 48
- DIFFUSERS ARE REMOVABLE FROM FACE SIDE WITH SUFFICIENT OVERHEAD CLEARANCE
- FINISH: WHITE (W) ENAMEL



JOB NAME: \_\_\_\_\_  
 LOCATION: \_\_\_\_\_  
 ARCHITECT: \_\_\_\_\_  
 ENGINEER: \_\_\_\_\_  
 CONTRACTOR: \_\_\_\_\_

SUBMITTED BY: \_\_\_\_\_

DATE: 7/30/04

SD-9508

**SMF**  
 Aluminum  
 Surface Mount Frame