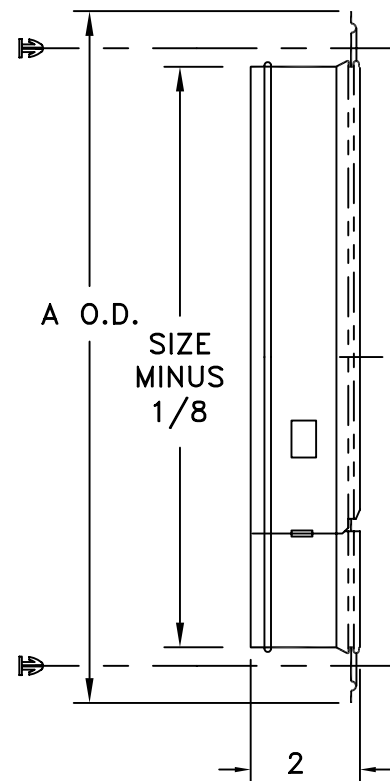
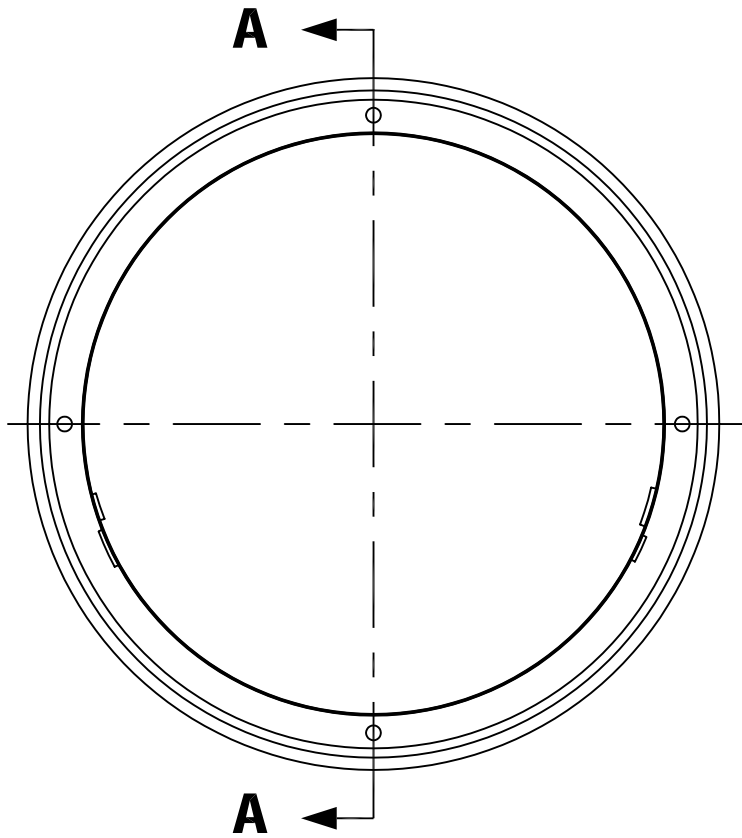


- MATERIAL: .018 GALVANIZED STEEL
- NO. 3800 OR T-19 DAMPERS INSTALL DIRECTLY INTO PROVIDED COLLAR SLOTS
- BUILT IN BEAD FOR FLEX DUCT INSTALLATIONS
- A O.D. = DUCT SIZE MINUS 1/16
- PUSH CLIPS MOUNT THE COLLAR TO PRE-PUNCHED BACK PANEL HOLES
- SIZES AVAILABLE: 6, 8, 10, 12, 16 & 18 (14 INCH COLLAR FACTORY INSTALLED)



SECTION A-A

SIZE	A O.D.
6	14
8	14
10	14
12	14
14	16
16	20
18	20

NOTE:

THIS COLLAR CAN BE USED ON T-BAR PRODUCTS THAT HAVE A MOLDED FIBERGLASS BACK PANEL. ATTACHMENT REQUIRES THE USE OF THE 5400PP PUSH PINS.

JOB NAME: _____	SUBMITTED BY: _____	DATE: 05/18/05	SD-9501
LOCATION: _____		5400 SERIES Collar	
ARCHITECT: _____			
ENGINEER: _____			
CONTRACTOR: _____			