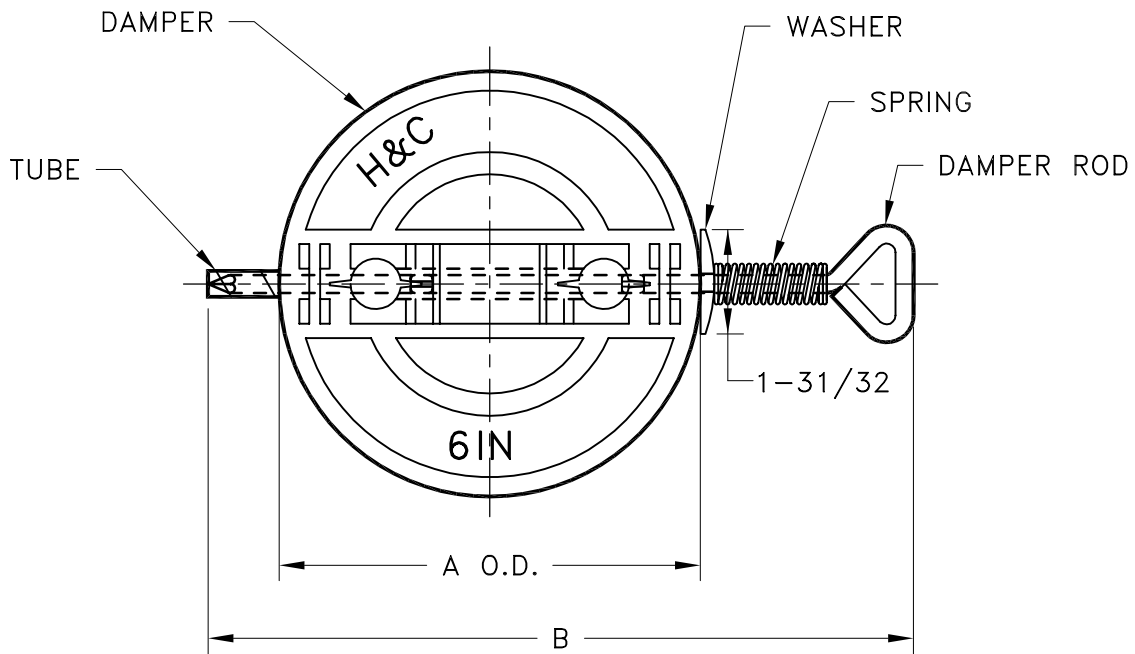


- DAMPER ROD MAY BE INSERTED FROM EITHER SIDE
- SPRING HOLDS DAMPER IN PLACE



| CAT. NO. | SIZE | A O.D. | B       |
|----------|------|--------|---------|
| 506      | 6    | 5-3/4  | 9-9/16  |
| 507      | 7    | 6-3/4  | 10-9/16 |
| 508      | 8    | 7-3/4  | 11-9/16 |

|                   |  |               |         |
|-------------------|--|---------------|---------|
| JOB NAME: _____   | SUBMITTED BY: _____                              | DATE: 1/18/99 | SD-2706 |
| LOCATION: _____   | <b>506, 507, 508</b><br>Steel<br>Warn Air Damper |               |         |
| ARCHITECT: _____  |  |               |         |
| ENGINEER: _____   |  |               |         |
| CONTRACTOR: _____ |  |               |         |