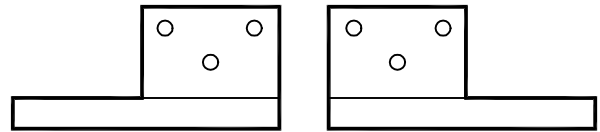
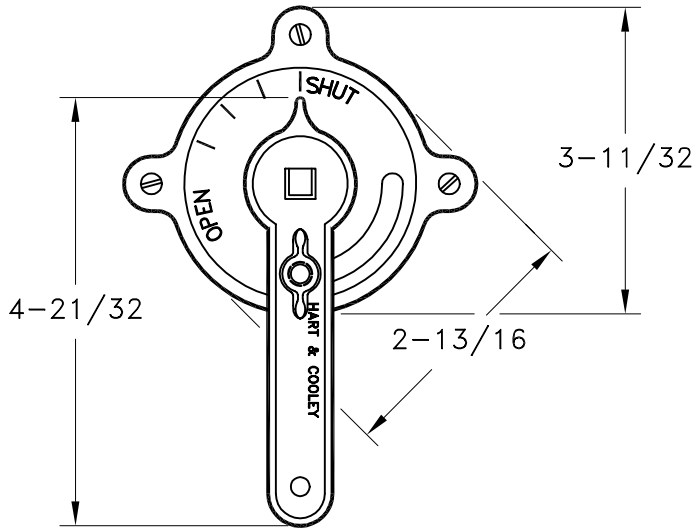


- KIT CONTAINS 2 SOLID BEARINGS, 6 RIVETS AND 3 SHEET METAL SCREWS WITH EACH REGULATOR



JOB NAME: _____	SUBMITTED BY: _____	DATE: 1/18/99	SD-2702
LOCATION: _____		80 3/8 Regulator Set	
ARCHITECT: _____			
ENGINEER: _____			
CONTRACTOR: _____			