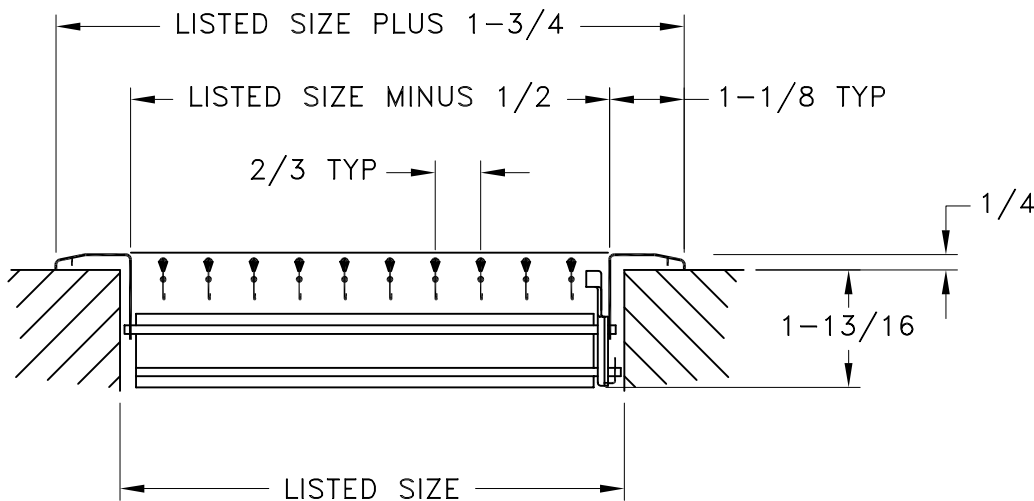
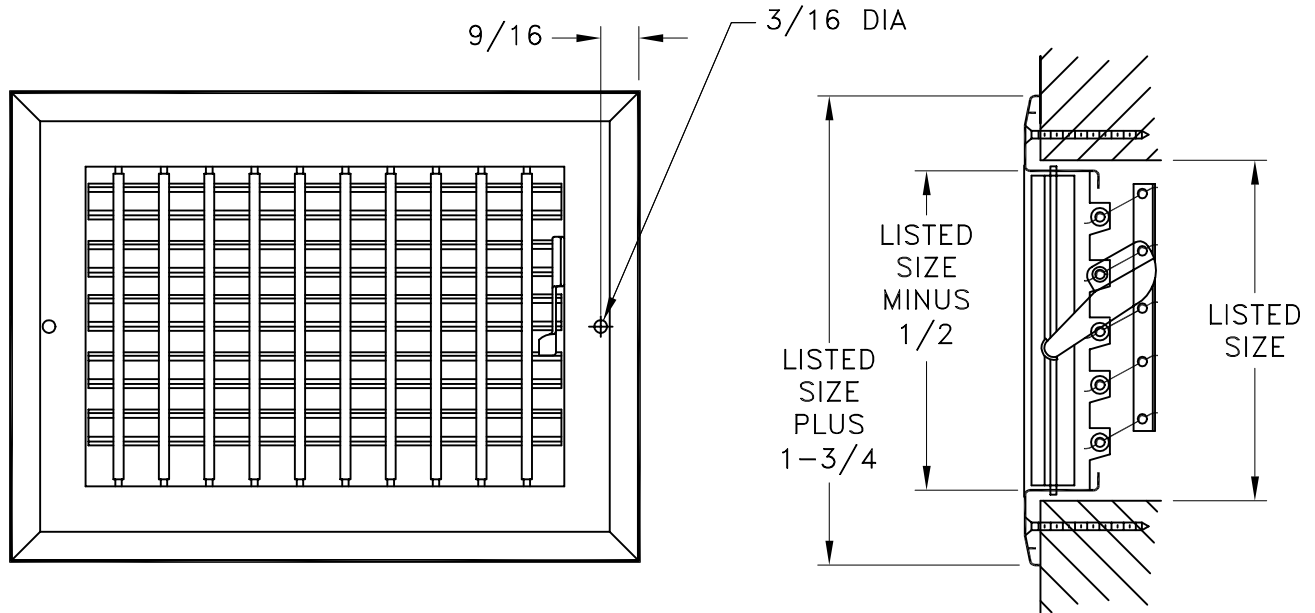
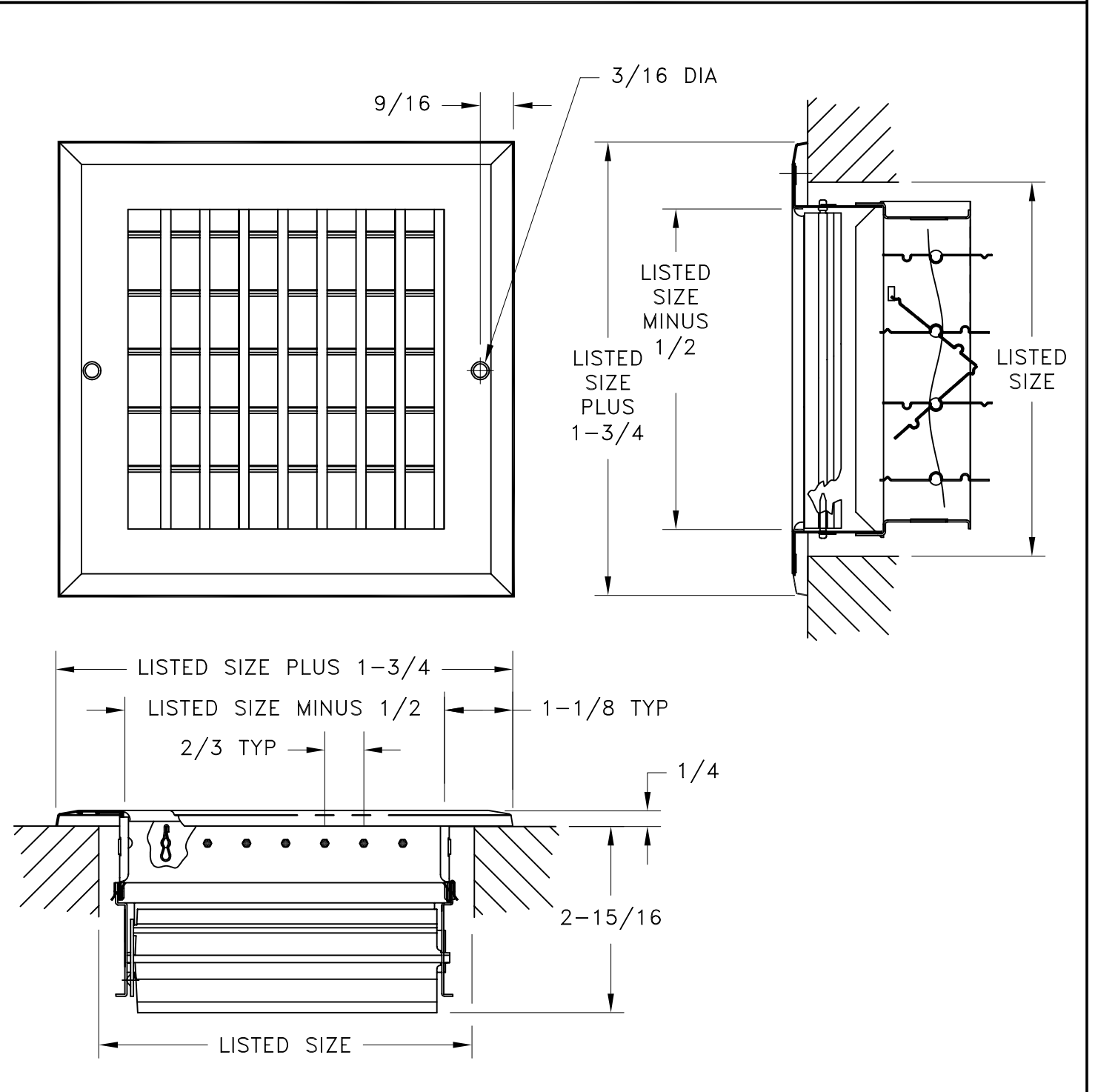


- ALUMINUM FACE, ALUMINIZED AND GALVANIZED STEEL DAMPER
- ADJUSTABLE VERTICAL FRONT FINS
- MULTI-SHUTTER DAMPER
- MINIMUM SIZE = 6 X 6
- MAXIMUM SIZE = 14 X 14
- FINISH: WHITE (W) ENAMEL



JOB NAME: _____	SUBMITTED BY: _____	DATE: 4/24/00	SD-2505
LOCATION: _____		A618MS Aluminum Adjustable Register Single Deflection	
ARCHITECT: _____			
ENGINEER: _____			
CONTRACTOR: _____			

- ALUMINUM FACE, PAINTED STEEL OPPOSED BLADE DAMPER
- ADJUSTABLE VERTICAL FRONT FINS
- MINIMUM SIZE = 6 X 6
- MAXIMUM SIZE = 14 X 14
- FINISH: WHITE (W) ENAMEL



JOB NAME: _____	SUBMITTED BY: _____	DATE: 2/4/03	SD-2510
LOCATION: _____		A618-OB Aluminum, Adjustable Straight Fin Register With Painted Steel Opposed Blade Damper Single Deflection	
ARCHITECT: _____			
ENGINEER: _____			
CONTRACTOR: _____			