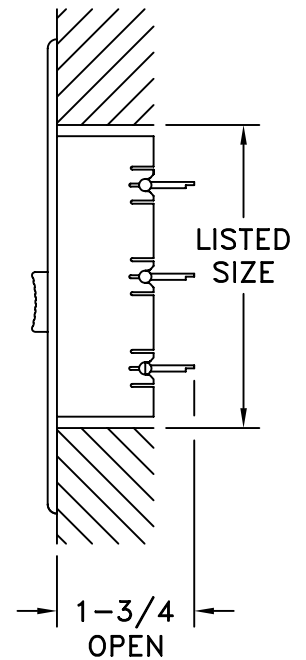
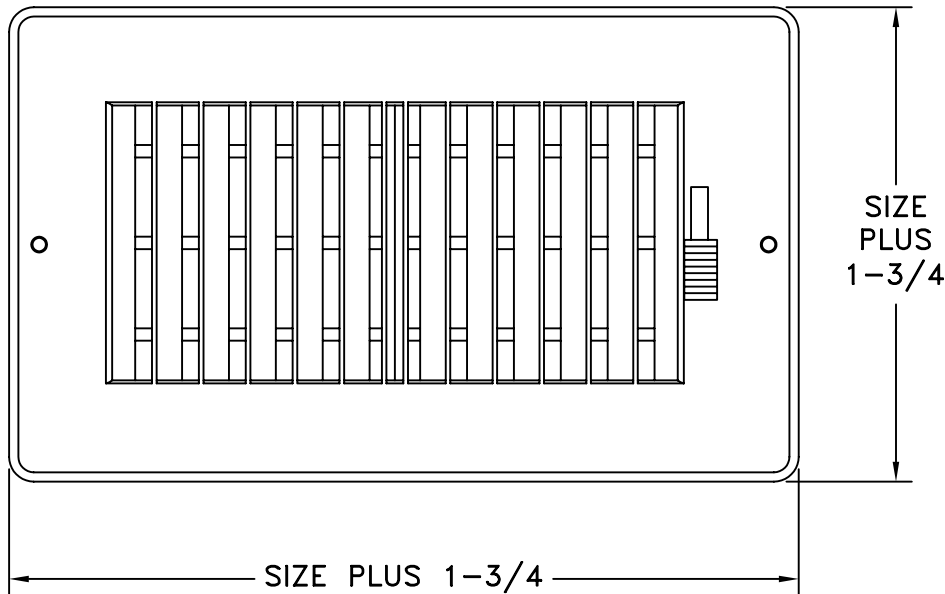


- ENGINEERED POLYMER CONSTRUCTION
- 2-WAY DEFLECTION
- INTEGRAL MULTI-SHUTTER DAMPER
- FOR HEATING AND COOLING
- FINISH: WHITE (W)



JOB NAME: _____	SUBMITTED BY: _____	DATE: 9/27/04	SD-2151
LOCATION: _____		RZ682	
ARCHITECT: _____		Plastic 2-Way	
ENGINEER: _____		Ceiling Or Sidewall Register	
CONTRACTOR: _____			