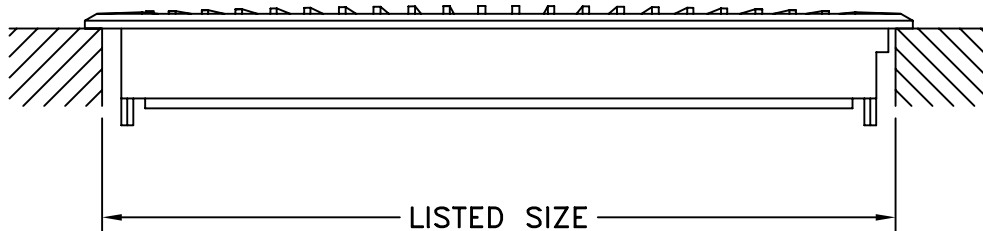
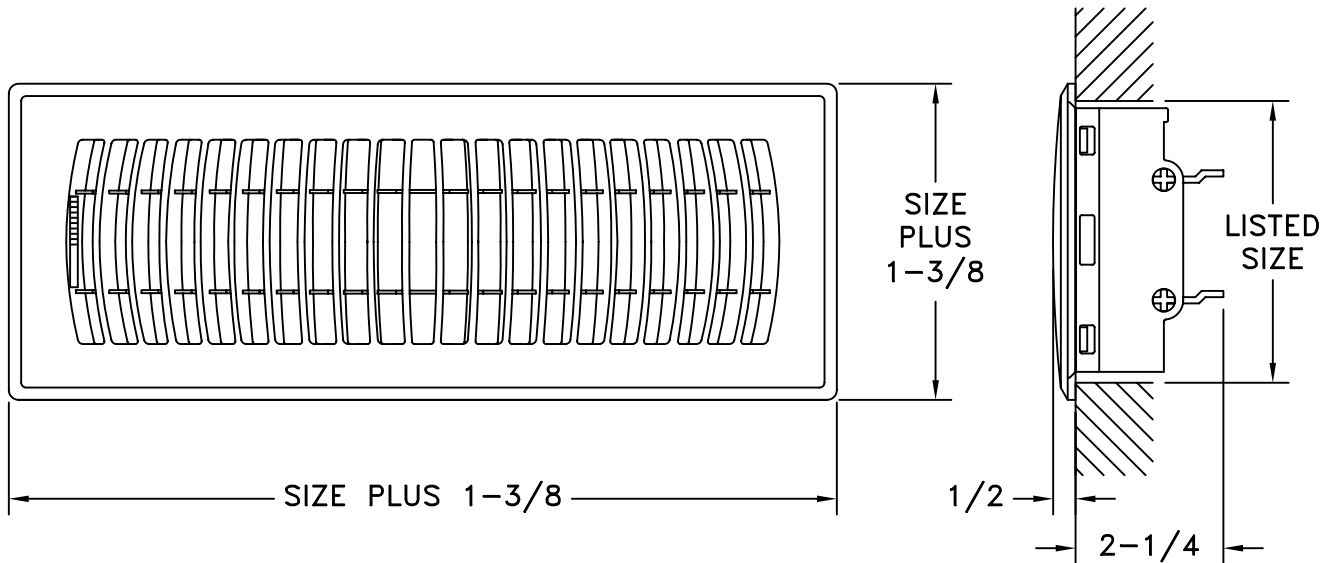


- SOLID ABS CONSTRUCTION FOR FLOOR USE
- MULTI-ANGLED FINN FOR FAN PATTERN OF AIR DISTRIBUTION
- FOOT OPERATED, MULTI-SHUTTER DAMPER
- FINISH: WHITE (W) AND GOLDEN SAND (GS)



JOB NAME: _____	SUBMITTED BY: _____	DATE: 3/12/04	SD-2150
LOCATION: _____		RZ421	
ARCHITECT: _____		Plastic	
ENGINEER: _____		Floor Diffuser	
CONTRACTOR: _____			