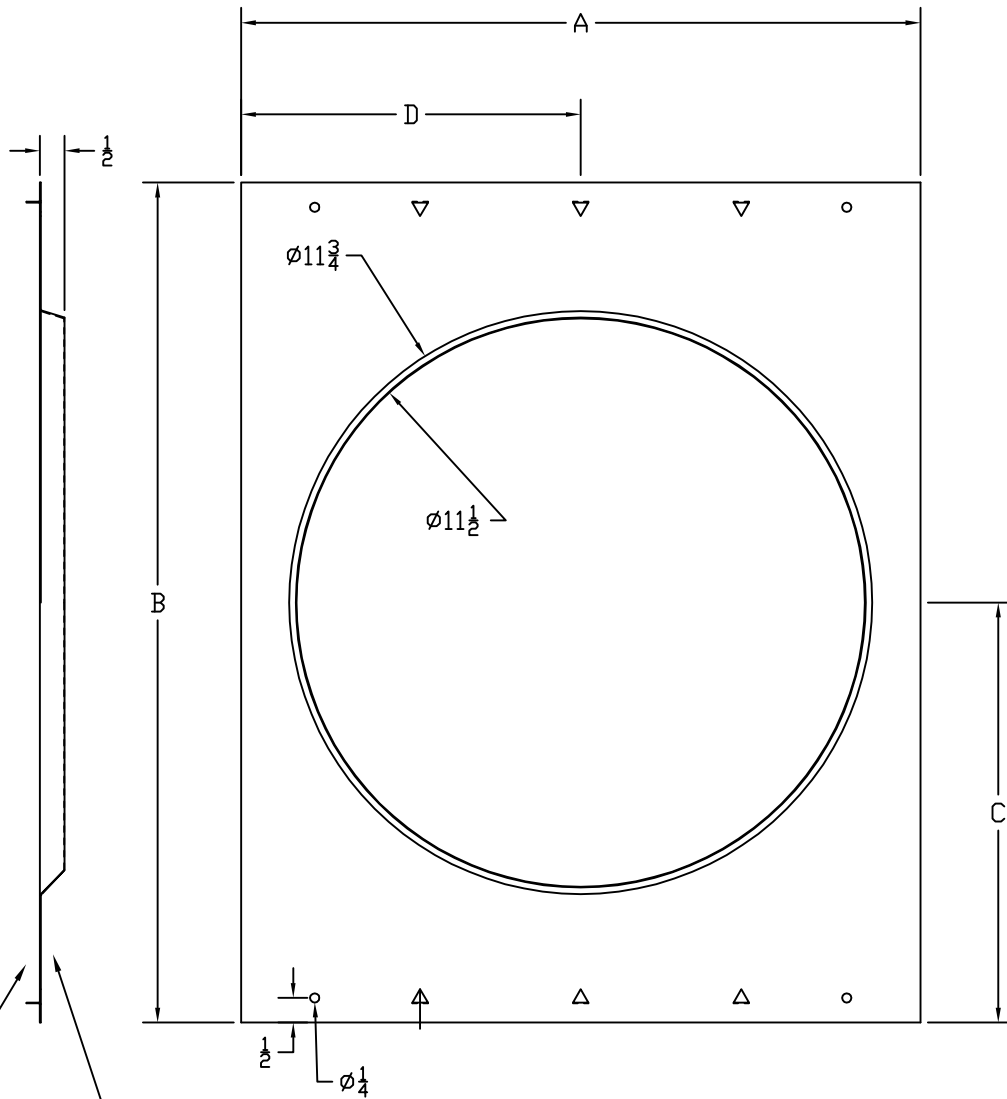


• MATERIAL: GALVANIZED STEEL



THIS SIDE TO  
BOTTOM OF JOISTS

THIS SIDE TO  
ROOM INTERIOR

Dims (in)	MODEL	
	RZ16RCP16	RZ16RCP24
A	13 3/4	14 3/4
B	17	25
C	8 1/2	12 1/2
D	6 7/8	7 3/8

JOB NAME: \_\_\_\_\_

LOCATION: \_\_\_\_\_

ARCHITECT: \_\_\_\_\_

ENGINEER: \_\_\_\_\_

CONTRACTOR: \_\_\_\_\_

DATE: 12/2/08 SD-2162

**RZ16RCP**  
16" & 24" O/C  
Rough-In Plate  
RZ16