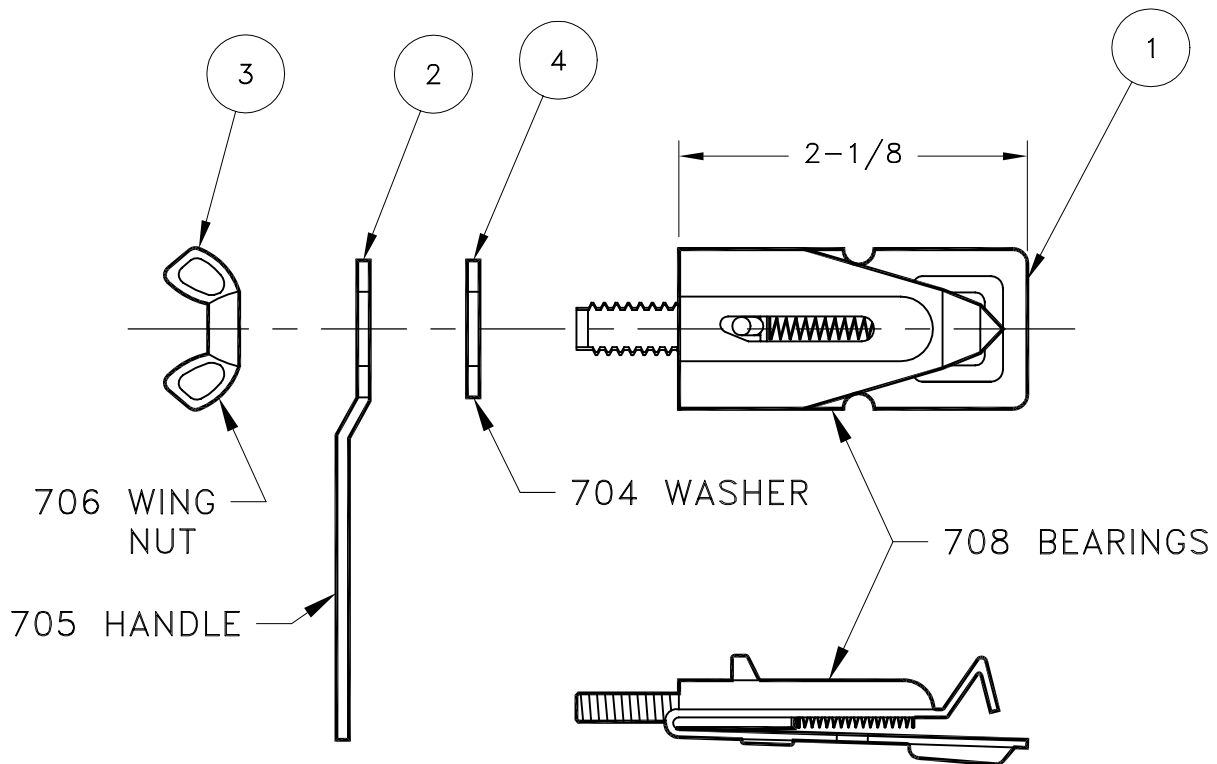


- 69 REGULATOR SET: 1 OF EACH ITEM 1, 2, 3 & 4
- 70 REGULATOR SET: 1 OF EACH ITEM 2, 3 & 4 AND 2 OF ITEM 1
- RETRACTABLE BOLT
- 5/16 INCH DIAMETER
- MAXIMUM DAMPER THICKNESS: .022 INCH



JOB NAME: _____	SUBMITTED BY: _____	DATE: 1/18/99	SD-2700
LOCATION: _____		69,70 Regulator Set	
ARCHITECT: _____			
ENGINEER: _____			
CONTRACTOR: _____			