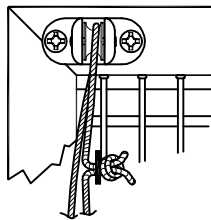
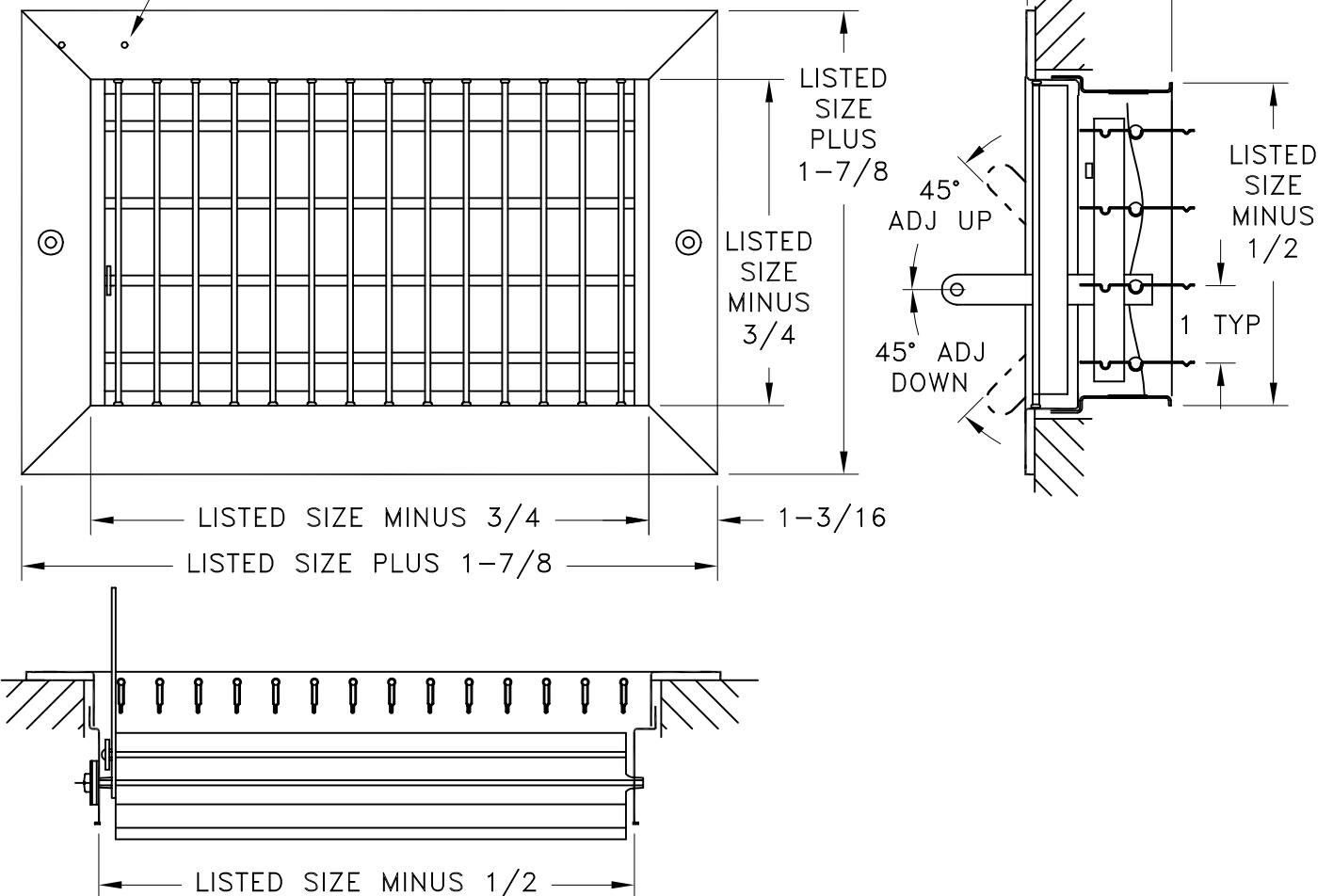


- HEAVY GAUGE STEEL CONSTRUCTION
- ADJUSTABLE BARS ON 3/4 INCH CENTERS
- FOR WIDTHS GREATER THAN 24 INCHES TWO DEFLECTORS ARE USED
- MINIMUM SIZE: 6 X 4
- MAXIMUM SIZE: 48 X 36 ONE PIECE CONSTRUCTION
- AVAILABLE IN 2 INCH INCREMENTS
- FINISH: WHITE (W) ENAMEL



DETAIL OF OPTIONAL PULLEY (98VOH-P) FOR REMOTE ADJUSTMENT OF DEFLECTION LOUVERS. FIELD INSTALLED CENTER PULLEY OVER LEVER.

DRILL 1/8 SCREW HOLES FOR FIELD INSTALLATION OF PULLEY



JOB NAME: _____	SUBMITTED BY: _____	DATE: 3/9/01	SD-9014
LOCATION: _____		98VOH Steel Industrial Ventilation Grille	
ARCHITECT: _____			
ENGINEER: _____			
CONTRACTOR: _____			