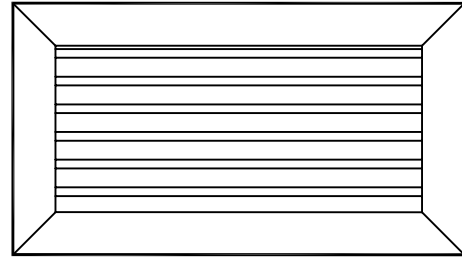
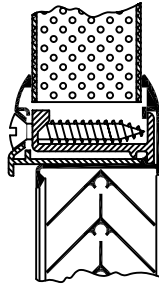
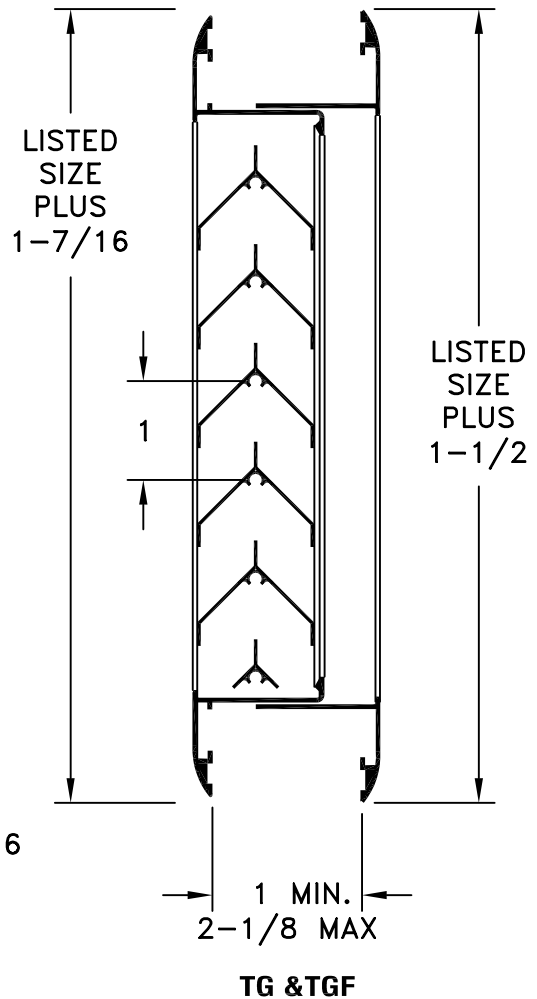
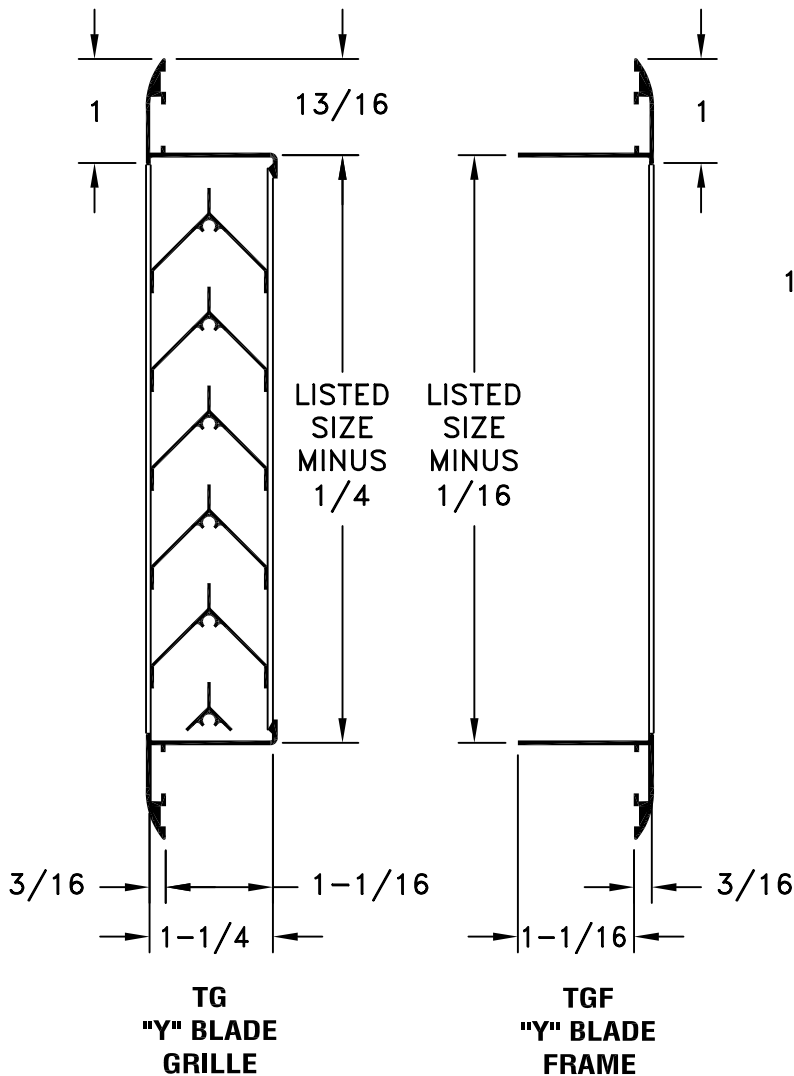


- EXTRUDED ALUMINUM CONSTRUCTION
- FOR SCREW HOLE LOCATIONS SEE SD-9140
- MINIMUM SIZE: 6 X 4
- MAXIMUM SIZE: 36 X 72
- AVAILABLE IN 1 INCH INCREMENTS
- FINISH: WHITE (W) ENAMEL OR SATIN ANODIZED (SA)

OPTIONAL  
SECURITY LUGS  
ADD SUFFIX "SL"  
TO MODEL EXAMPLE:  
TG/TGF - SL



**TG**



JOB NAME: \_\_\_\_\_  
LOCATION: \_\_\_\_\_  
ARCHITECT: \_\_\_\_\_  
ENGINEER: \_\_\_\_\_  
CONTRACTOR: \_\_\_\_\_

SUBMITTED BY: \_\_\_\_\_

DATE: 11/17/05

SD-9130

**TG, TGF**  
Extruded Aluminum  
Transfer Grilles And Registers