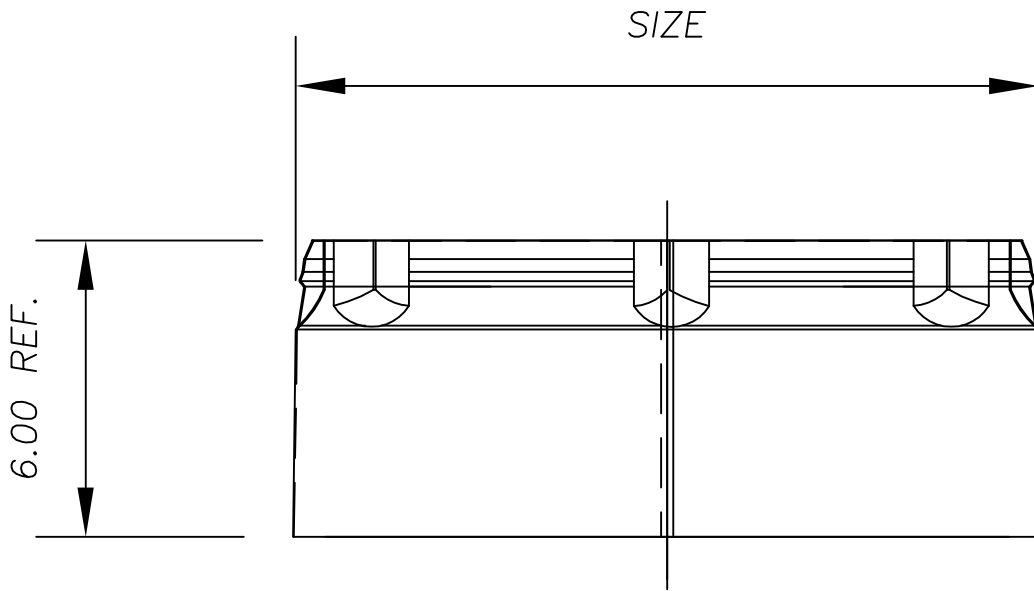


- MATERIAL:
Inner wall - 0.014 Alum.
Outer wall - 0.018 Galv.



PART NO.	SIZE
14RUA	14"
16RUA	16"
18RUA	18"
20RUA	20"
22RUA	22"
24RUA	24"

JOB NAME: _____	SUBMITTED BY: _____	DATE: 10/25/06	SD-3148
LOCATION: _____		Type B Gas Vent	
ARCHITECT: _____		Universal Male Adapter	
ENGINEER: _____		RUA	
CONTRACTOR: _____		14" - 24" Diameter	