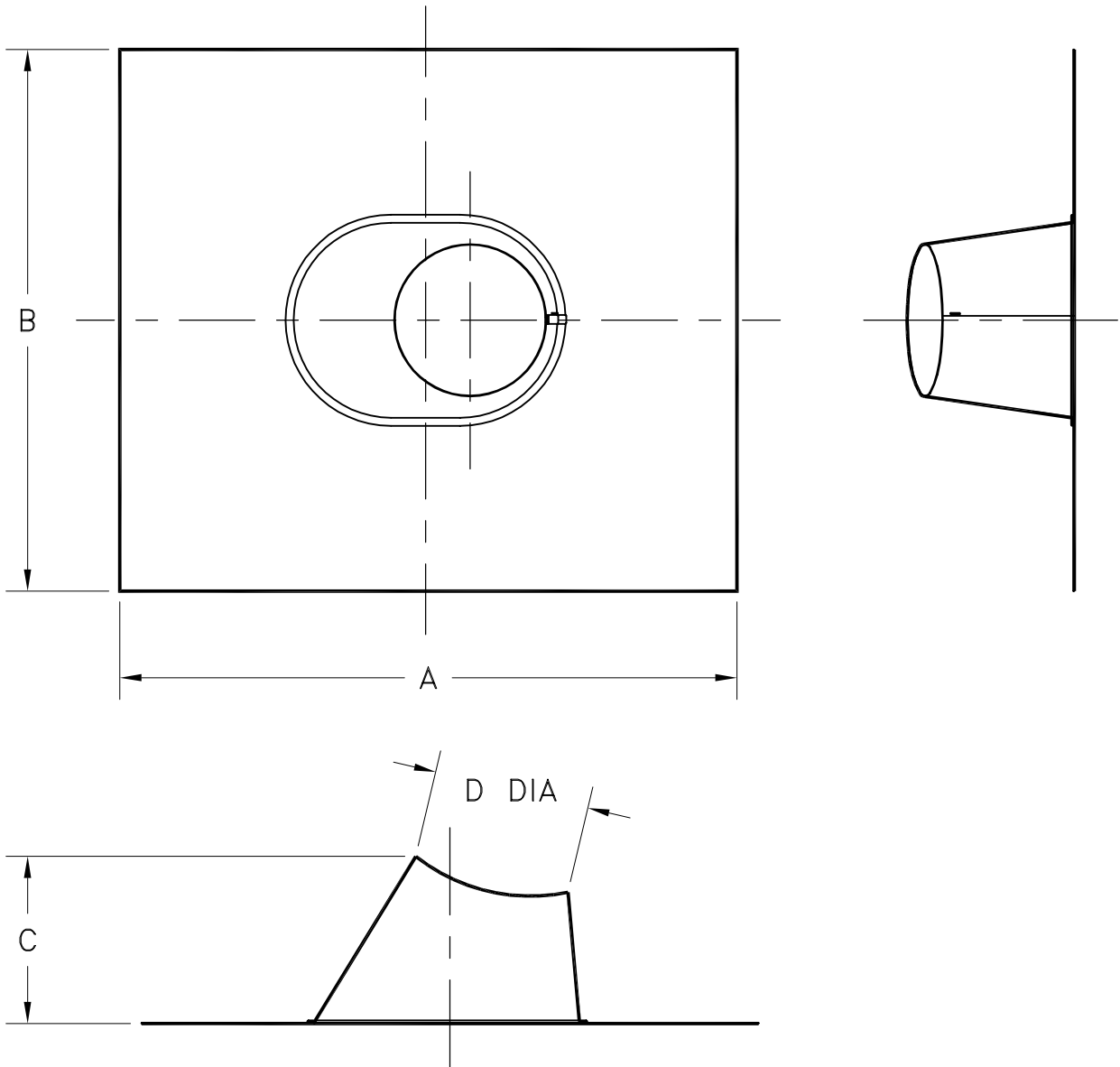


- MATERIAL:  
PLATE & CONE – .018 THICK, G-90 GALVANIZED STEEL
- OVERSIZE HOLE IN CONE



CAT. NO.	A	B	C DIA	D
3RFO	12-1/2	14-1/4	3-1/2	3-15/16
4RFO	13-1/2	16	4	5-3/16
5RFO	14-3/4	16-5/8	4-1/2	5-15/16
6RFO	16	17-7/8	5	6-15/16
7RFO	17-1/8	18-1/2	5-1/2	8-7/16
8RFO	18	21	6	9-7/16

JOB NAME: _____	SUBMITTED BY: _____	DATE: 1/28/99	SD-3133
LOCATION: _____		<b>Type B Gas Vent</b>	
ARCHITECT: _____		Special Flashing	
ENGINEER: _____		RFO	
CONTRACTOR: _____		3" - 8" Diameter	