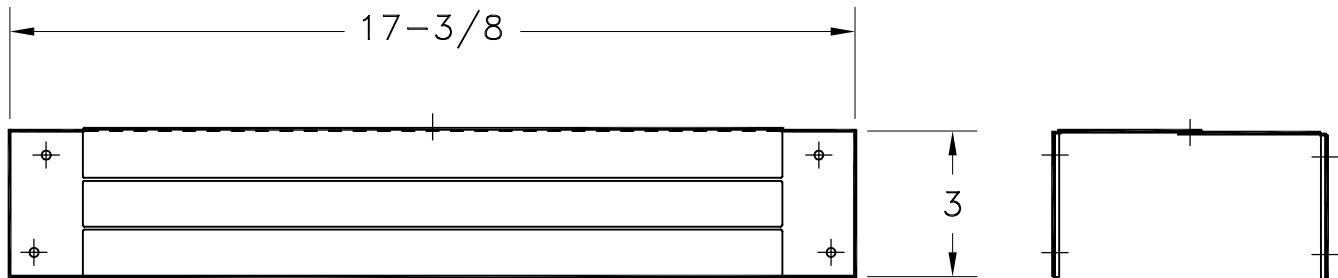
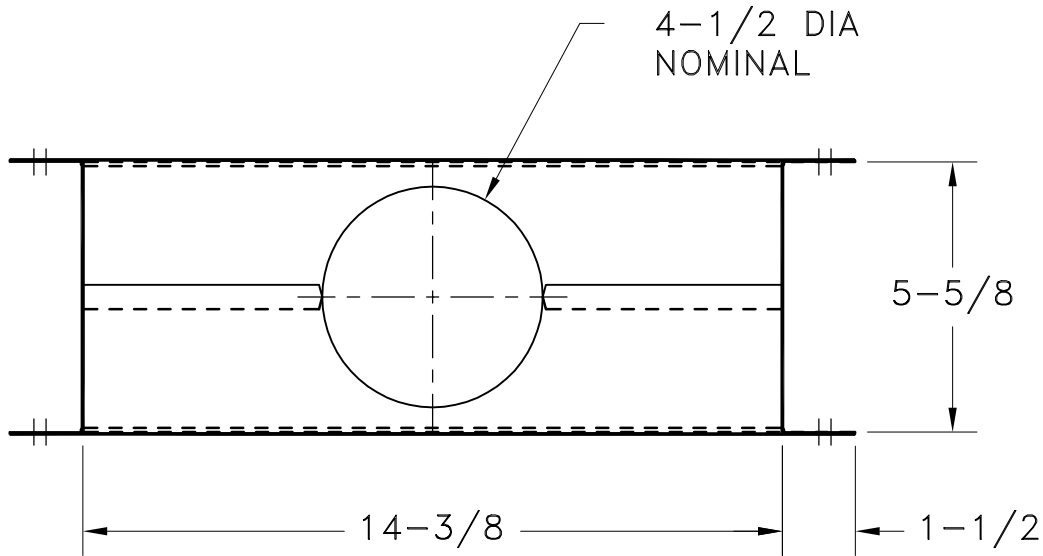


- MATERIAL:
– .040 THICK, G-90 GALVANIZED STEEL
- FITS 2 x 6 INCH STUD WALL



JOB NAME: _____	SUBMITTED BY: _____	DATE: 1/29/99	SD-3123
LOCATION: _____		Type B Gas Vent	
ARCHITECT: _____		Firestop	
ENGINEER: _____		RFC	
CONTRACTOR: _____		4" Diameter Only	