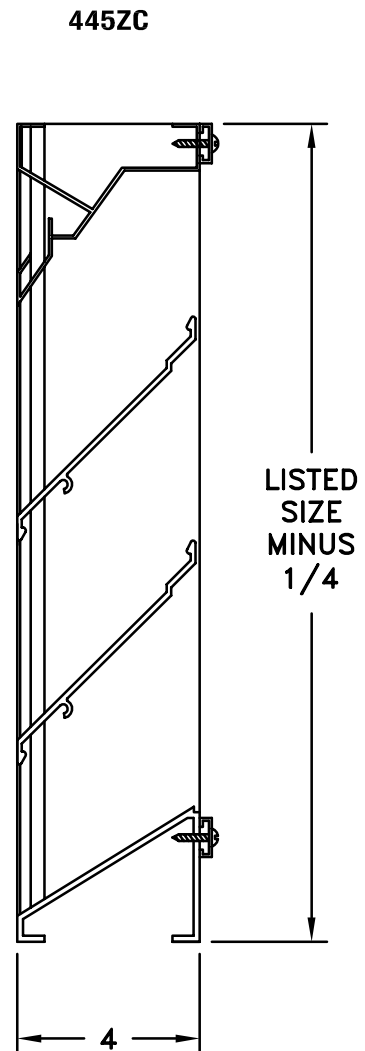
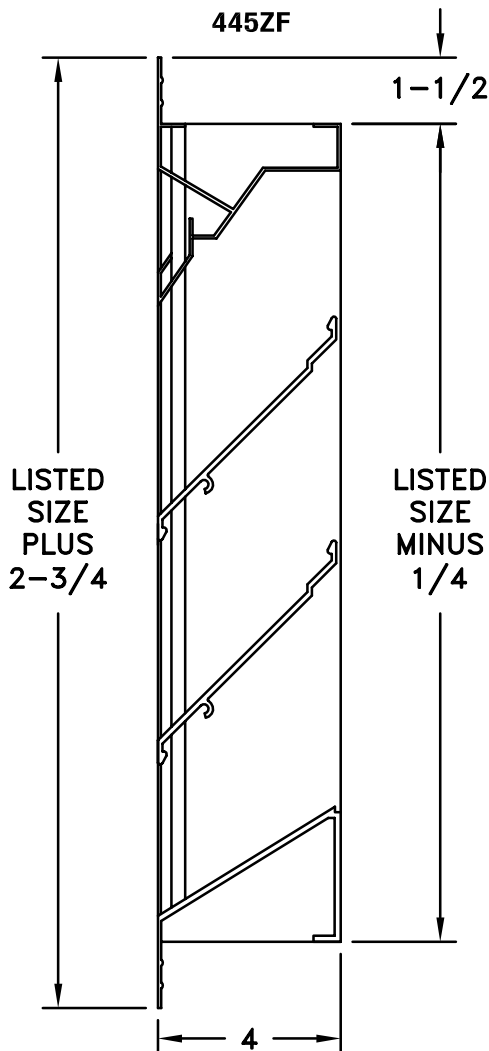
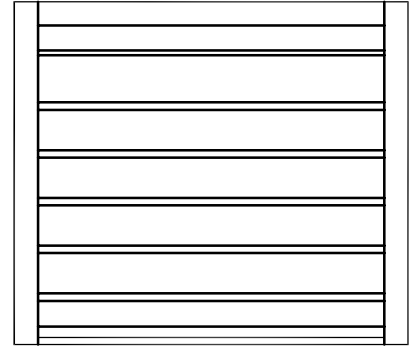


- EXTRUDED ALUMINUM CONSTRUCTION
- FIXED WEATHER RESISTANT BLADE LOUVER
- BLADE LOUVER ON APPROXIMATE 5 INCH CENTERS
- 4 INCH LOUVER DEPTH, 45° ANGLE
- AVAILABLE WITH BIRD/INSECT SCREEN (SD-9708)
- MILL FINISH STANDARD; OPTIONAL CLEAR OR COLOR ANODIZED, BAKED ENAMEL DURACON AND FLUOROPOLYMER FINISHES AVAILABLE
- MINIMUM SIZE = 12 W X 12 H
- MAXIMUM ONE PIECE SIZE = 120 W X 90 H, LARGER SIZES AVAILABLE IN MULTIPLE SECTIONS.
- HIDDEN BLADE MULLIONS STANDARD ON CONTINUOUS LOUVER APPLICATIONS.



JOB NAME: _____	SUBMITTED BY: _____	DATE: 1/24/02	SD-9703
LOCATION: _____	<b>445ZC, 445ZF</b> 4 Inch Fixed Louvers 45° Blades Channel/Flange Frames		
ARCHITECT: _____			
ENGINEER: _____			
CONTRACTOR: _____			