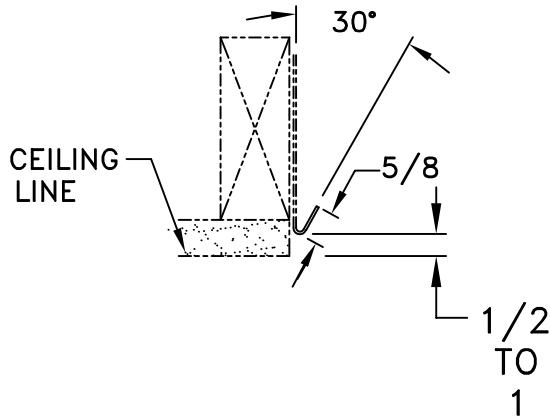
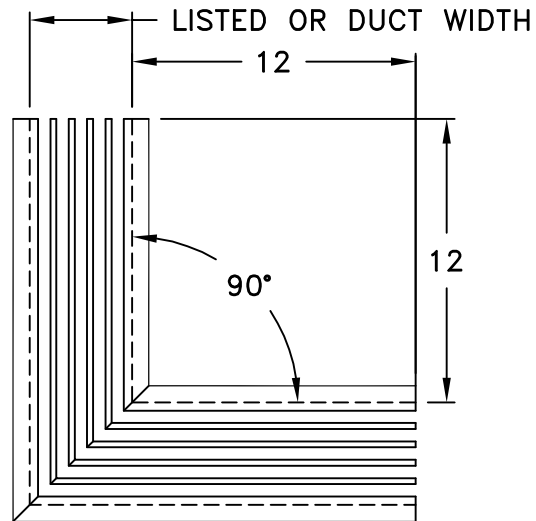


DETAIL OF HEMMED EDGE OF DUCT FOR MARGIN B1 AND E1



- CONTRACTOR TO FRAME OPENING TO INSURE STRAIGHT LINE INSTALLATION

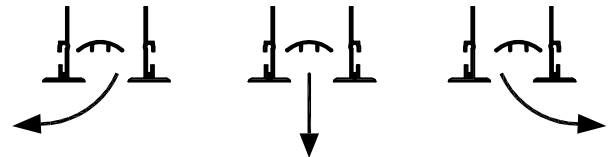
'S' SERIES MITERED CORNERS



- 90° ANGLES STANDARD, OTHER ANGLES UPON REQUEST

FEATURES

FULL 180° PATTERN ADJUSTMENT



- UNIQUE PATTERN CONTROL ALLOWS COMPLETE ADJUSTMENT WITH CONSTANT DISCHARGE VELOCITY AND STATIC PRESSURE – NO NEED TO RE-BALANCE AFTER CHANGING PATTERN – ADJUSTS FROM FACE OF DIFFUSER – SELF LOCATING FOR HORIZONTAL PATTERNS
- SEPARATE BALANCING DAMPER GIVES POSITIVE VOLUME CONTROLS WITHOUT AFFECTING AIR PATTERN – ADJUSTS FROM FACE OF DIFFUSER

JOB NAME: _____
 LOCATION: _____
 ARCHITECT: _____
 ENGINEER: _____
 CONTRACTOR: _____

SUBMITTED BY: _____

DATE: 8/11/08

SD-9630

S SERIES
 Typical Details
 And Features