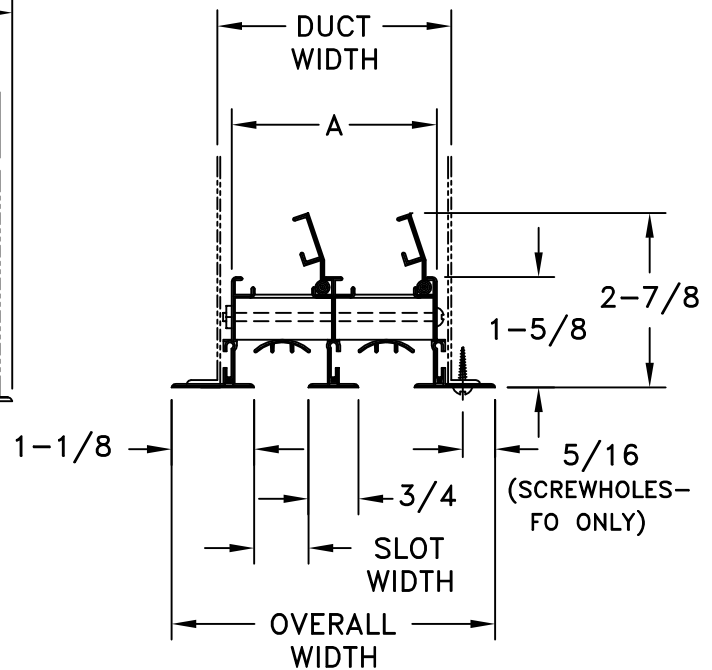
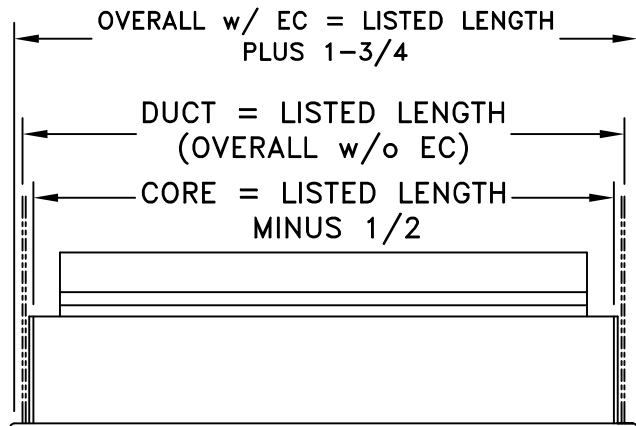


- EXTRUDED ALUMINUM CONSTRUCTION
- MINIMUM SIZE = 12 INCHES
- MAXIMUM SIZE = 72 INCHES ONE PIECE CONSTRUCTION
- MULTIPLE SECTIONS KEYED FOR PROPER ALIGNMENT
- DIFFUSERS AVAILABLE WITH ONE TO TEN SLOTS, WITH OR WITHOUT PATTERN CONTROLLER
- FINISH: WHITE (W) ENAMEL OR SATIN ANODIZED (SA)



### T-BAR APPLICATIONS

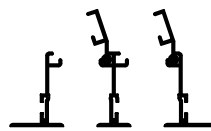
\* ORDER 22 AND 46 INCH WITH END CAPS FOR 2 AND 4 FOOT ON CENTER



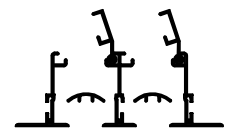
MARGIN ONLY



MARGIN AND  
PATTERN  
CONTROLLER



MARGIN  
AND  
DAMPER



MARGIN, DAMPER  
AND PATTERN  
CONTROLLER

SLOT WIDTH	TYPE	A	DUCT WIDTH	OVERALL WIDTH
1/2	50	1-1/4 X NO. OF SLOTS	A + 7/16	A + 1-1/2
3/4	75	1-1/2 X NO. OF SLOTS	A + 7/16	A + 1-1/2
1	10	1-3/4 X NO. OF SLOTS	A + 7/16	A + 1-1/2

JOB NAME: \_\_\_\_\_  
 LOCATION: \_\_\_\_\_  
 ARCHITECT: \_\_\_\_\_  
 ENGINEER: \_\_\_\_\_  
 CONTRACTOR: \_\_\_\_\_

SUBMITTED BY: \_\_\_\_\_

DATE: 03/12/08

SD-9620

**S SERIES**  
 Slot Diffuser  
 Margin EO/FO-Surface Mount