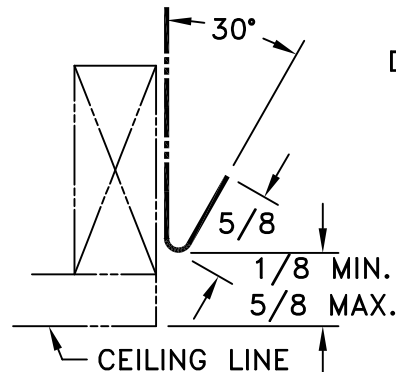
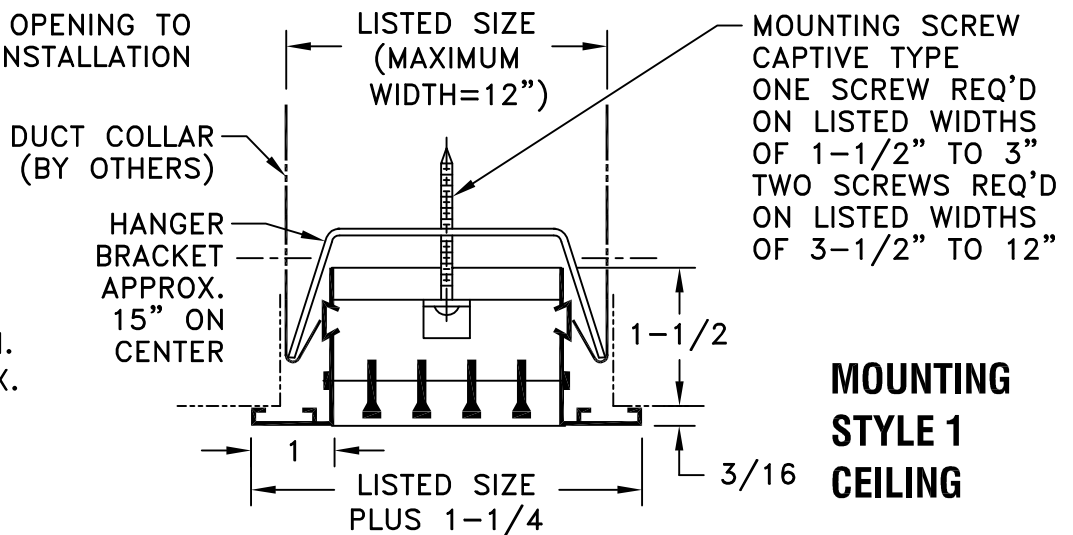


- EXTRUDED ALUMINUM CONSTRUCTION
- MINIMUM SIZE: 4 LONG X 1-1/2 WIDE ONE PIECE CONSTRUCTION
- MAXIMUM SIZE: 72 LONG X 24 WIDE ONE PIECE CONSTRUCTION
- WIDTH DIMENSION IN 1/2 INCH INCREMENTS ONLY
- LENGTHS OVER 72 INCHES ARE MULTIPLE SECTIONS WITH KEYWAY SPLICES
- YOKE HANGER AVAILABLE FOR SIZES 1-1/2 THROUGH 12 INCH ONLY
- DAMPERS, WHEN SPECIFIED, SHOULD BE DUCT MOUNTED
- FOR DAMPERS AND DIMENSIONS SEE SD-9605
- FINISH: WHITE (W) OR SATIN ANODIZED (SA)

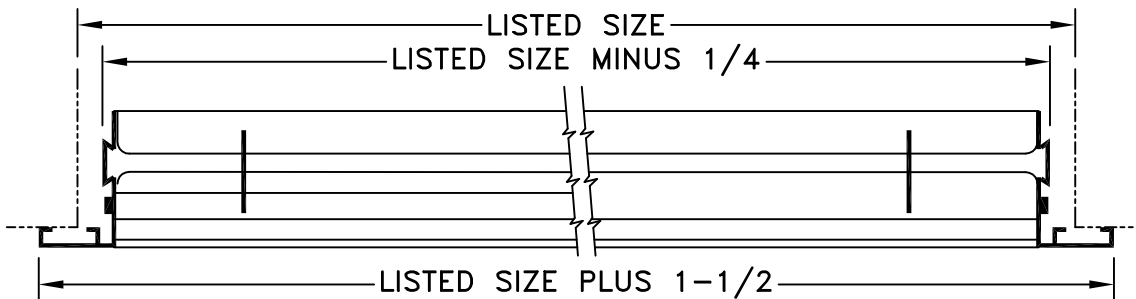
CONTRACTOR TO FRAME OPENING TO INSURE STRAIGHT LINE INSTALLATION



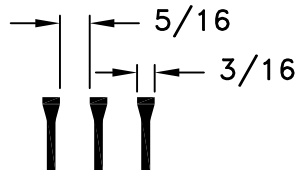
**DETAIL OF HEMMED EDGE OF DUCT (BY OTHERS)**



**MOUNTING STYLE 1 CEILING**



**FACE BARS - 1/2 INCH CENTERS**



00

THIS BAR STYLE ONLY WHEN USING MOUNTING STYLE 1.

JOB NAME: \_\_\_\_\_  
 LOCATION: \_\_\_\_\_  
 ARCHITECT: \_\_\_\_\_  
 ENGINEER: \_\_\_\_\_  
 CONTRACTOR: \_\_\_\_\_

SUBMITTED BY: \_\_\_\_\_

DATE: 03/13/08 SD-9601

**LS SERIES**  
 Linear Grilles With Yoke  
 Type Concealed Mounting  
 Mounting Style 1