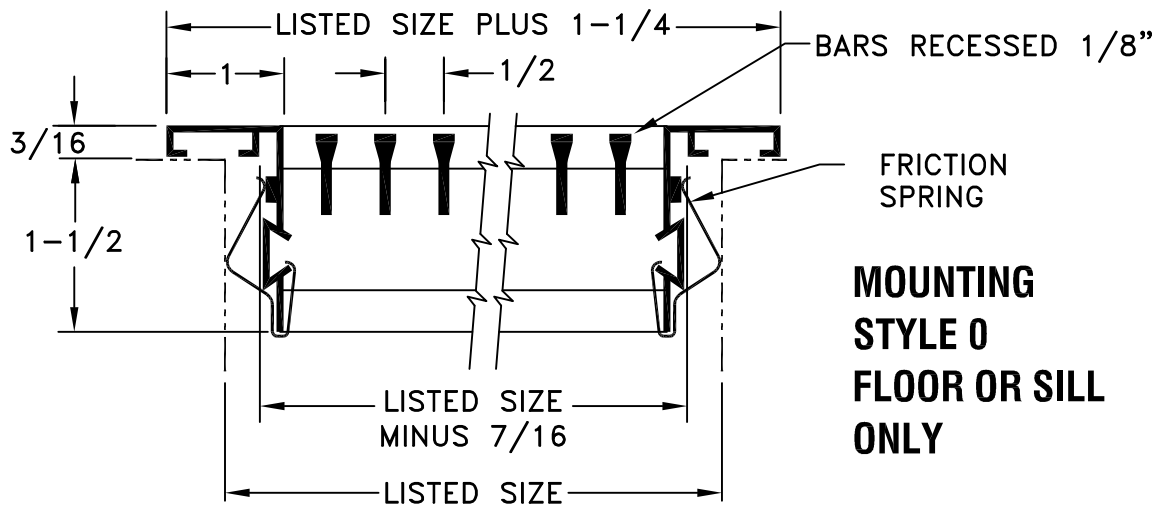
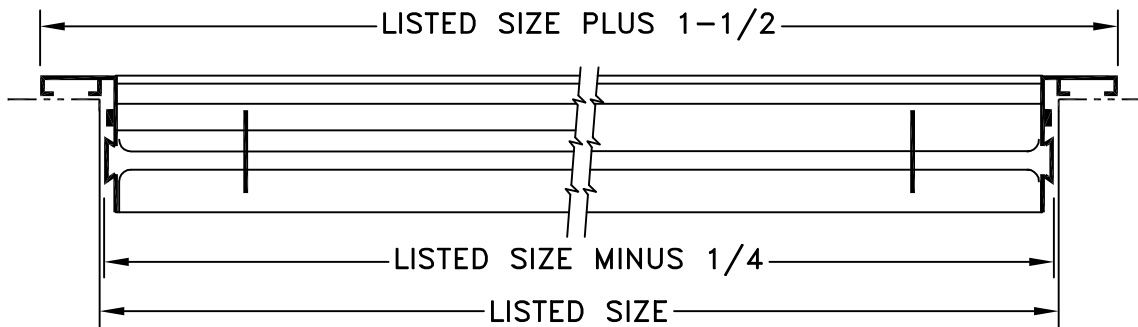


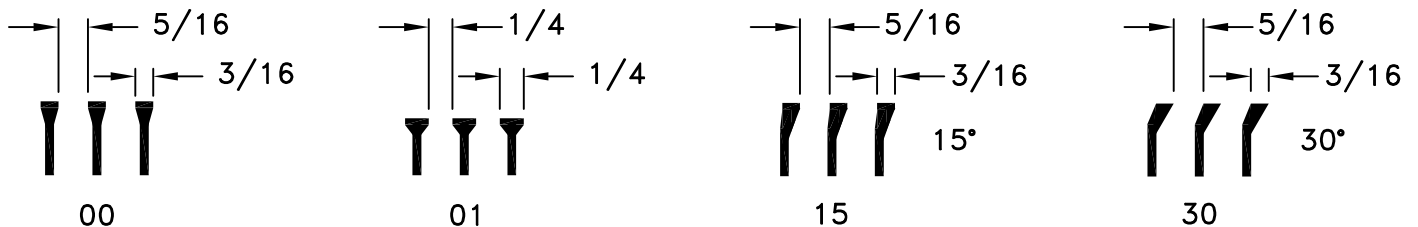
- EXTRUDED ALUMINUM CONSTRUCTION
- MINIMUM SIZE: 4 LONG X 1-1/2 WIDE ONE PIECE CONSTRUCTION
- MAXIMUM SIZE: 72 LONG X 24 WIDE ONE PIECE CONSTRUCTION
- WIDTH DIMENSION IN 1/2 INCH INCREMENTS ONLY
- LENGTHS OVER 72 INCHES ARE MULTIPLE SECTIONS WITH KEYWAY SPLICES
- FOR DAMPERS AND DIMENSIONS SEE SD-9605
- FINISH: WHITE (W) OR SATIN ANODIZED (SA)



**MOUNTING  
STYLE 0  
FLOOR OR SILL  
ONLY**



**FACE BARS - 1/2 INCH CENTERS**



JOB NAME: \_\_\_\_\_  
 LOCATION: \_\_\_\_\_  
 ARCHITECT: \_\_\_\_\_  
 ENGINEER: \_\_\_\_\_  
 CONTRACTOR: \_\_\_\_\_

SUBMITTED BY: \_\_\_\_\_

DATE: 01/11/08

SD-9600

**LF SERIES**  
 Linear Grilles With Standard  
 Drop-In Mounting  
 Mounting Style 0