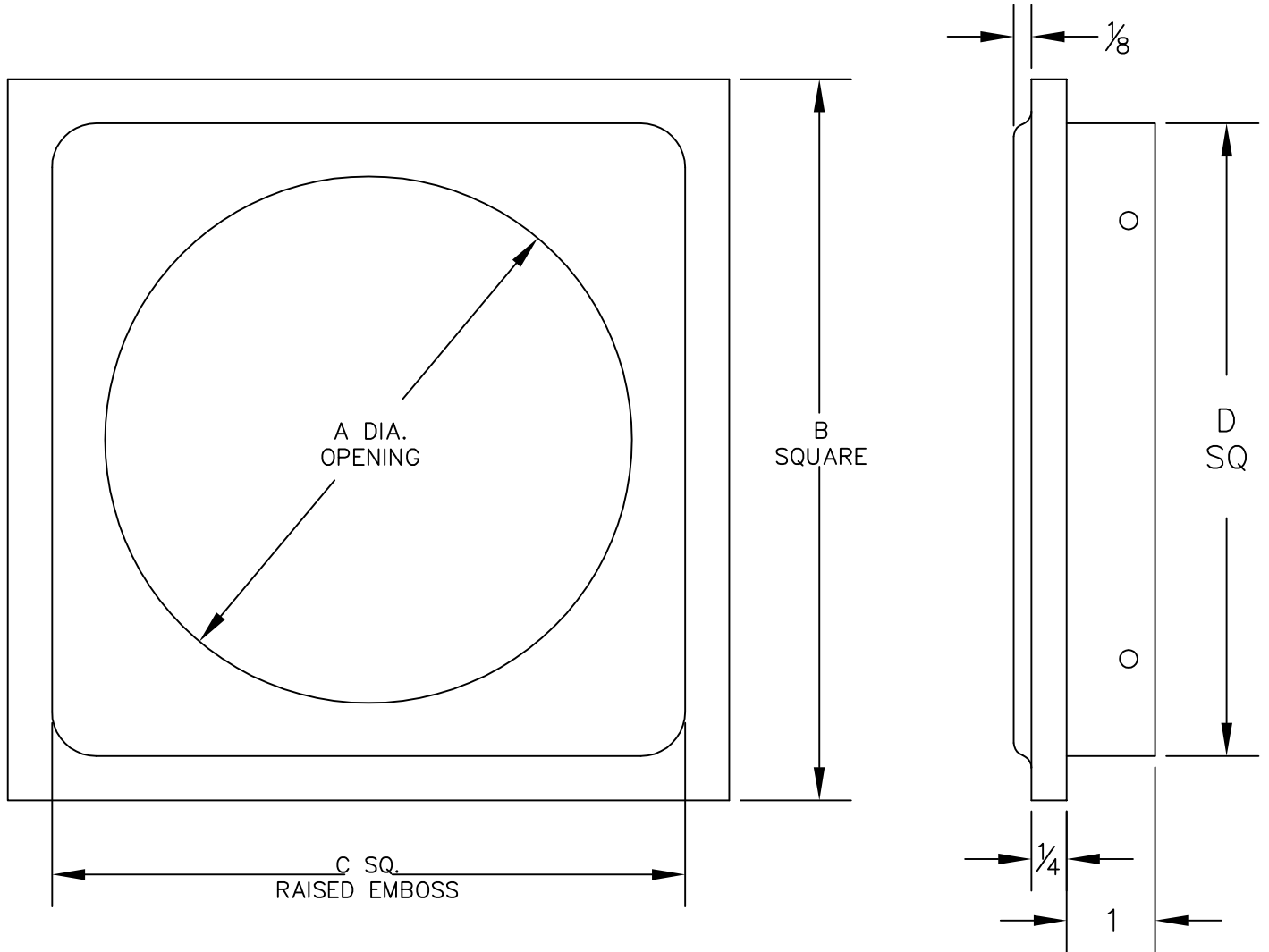


- STEEL CONSTRUCTION
- RAISED EMOSS FACE
- SPRING LOADED DOOR W/ RUBBER STOPS
- FINISH: BAKED WHITE (W) ENAMEL



MODEL	A DIA.	B SQ.	C SQ.	D SQ.
LCD 10	8 1/2	12	11	9-3/4"
LCD 12	10	13 1/4	12 1/4	11-1/4"

JOB NAME: _____	SUBMITTED BY: _____	DATE: 4/10/07	SD-2720
LOCATION: _____		<b>LCD</b> <b>LAUNDRY CHUTE DOOR</b>	
ARCHITECT: _____			
ENGINEER: _____			
CONTRACTOR: _____			