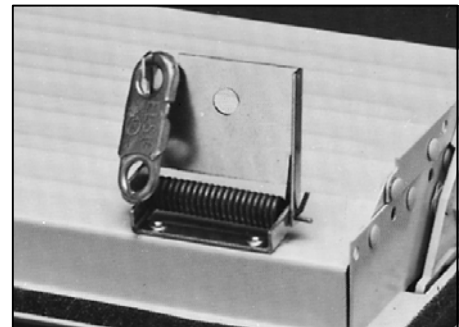
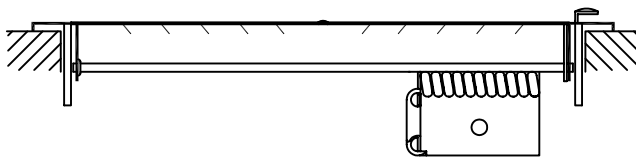
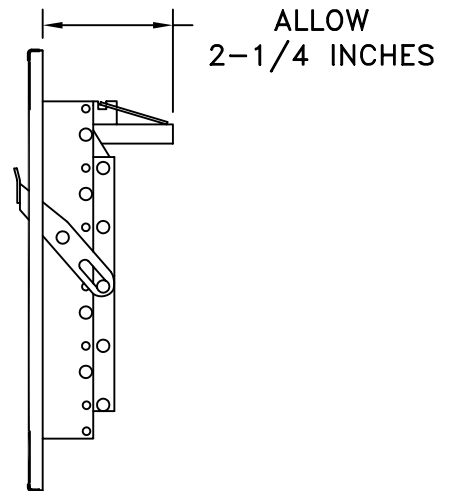
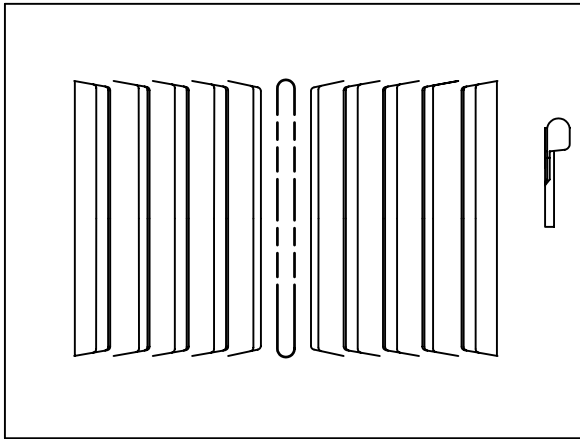


- 165° F FUSIBLE LINK STANDARD
- 212° F AND 165° F REPLACEMENT LINKS AVAILABLE
- FACTORY INSTALLED ONLY
- USED ON SELECT REGISTERS WITH METAL HANDLE MULTI-SHUTTER VALVES
- **IMPORTANT: FUSIBLE LINK DAMPER ASSEMBLIES ARE NOT U.L. LISTED FIRE OR SMOKE DAMPERS**



JOB NAME: _____
 LOCATION: _____
 ARCHITECT: _____
 ENGINEER: _____
 CONTRACTOR: _____

SUBMITTED BY: _____

DATE: 8/26/04

SD-2800

**STEEL, FUSIBLE LINK
MULTI-SHUTTER VALVE**