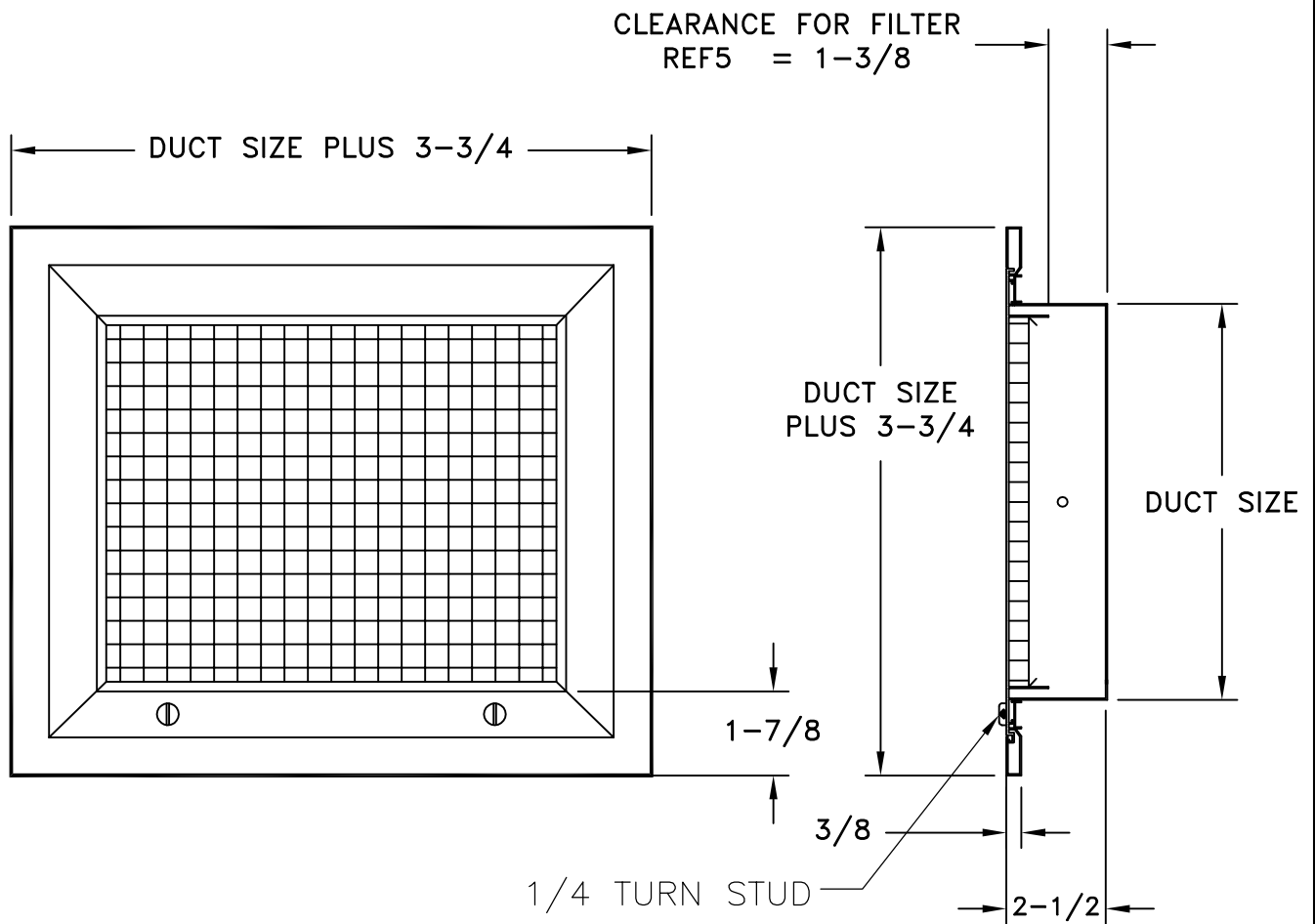


- EXTRUDED ALUMINUM CONSTRUCTION
- REMOVABLE FACE WITH 1/4 TURN FASTENER(S) & CONCEALED HINGE
- FILTER FRAME MAY BE SCREW FASTENED TO DUCT
- USES NOMINAL 1 INCH DISPOSABLE FILTERS
- FILTER SIZE EQUALS LISTED SIZE MINUS 1/4 INCH
- MINIMUM SIZE: 6 X 4
- MAXIMUM SIZE: 60 X 48
- AVAILABLE IN 1 INCH INCREMENTS
- FINISH: WHITE (W) ENAMEL OR MILL



MODEL	GRID CORE DIMENSIONS
REF5	1/2 X 1/2 X 1/2

JOB NAME: _____
 LOCATION: _____
 ARCHITECT: _____
 ENGINEER: _____
 CONTRACTOR: _____

SUBMITTED BY: _____

DATE: 4/4/11

SD-9123

REF5
 Extruded Aluminum
 Grid Core
 Filter Grille