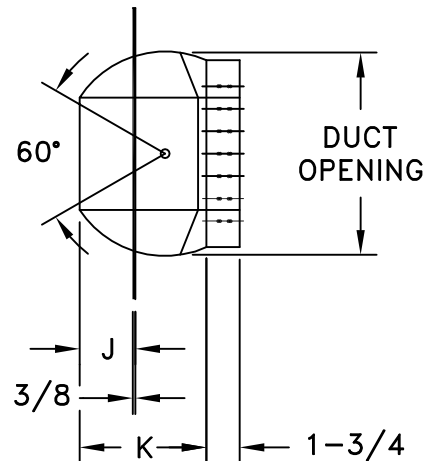
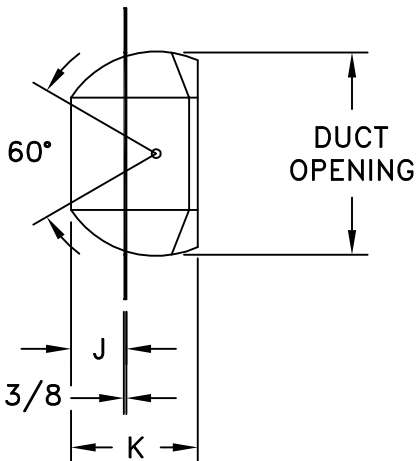
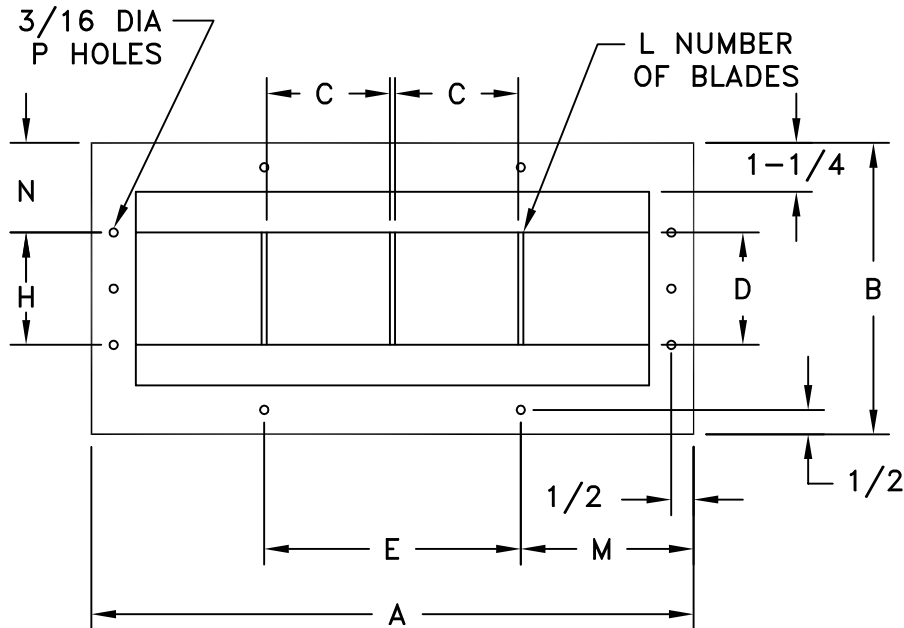


- ALUMINUM CONSTRUCTION WITH OPTIONAL GALVANIZED OBD
- ADJUSTABLE DRUM AND VANE DESIGN PROVIDES HORIZONTAL OR VERTICAL AIR STREAM AND THROW CONTROL
- AVAILABLE WITH OPTIONAL SCREWDRIVER OPERATED GALVANIZED OPPOSED BLADE DAMPER
- SIZES: 6, 10, 12 AND 15 INCH HEIGHTS WITH VARIABLE WIDTHS AVAILABLE
- FINISH: WHITE (W) OR MILL (M)



*See SD-9713 for dimensional details

Listed Height Size	Duct Opening Height	Duct Opening Width
6	Listed Size Plus 5/8	Listed Size Plus 1-1/8
10	Listed Size Plus 3/8	Listed Size Plus 1-1/8
12	Listed Size Plus 3/8	Listed Size Plus 1-1/8
15	Listed Size Plus 3/8	Listed Size Plus 1-1/8

JOB NAME: _____	SUBMITTED BY: _____	DATE: 12/11/06	SD-9712
LOCATION: _____		DL Aluminum Drum Louver	
ARCHITECT: _____			
ENGINEER: _____			
CONTRACTOR: _____			