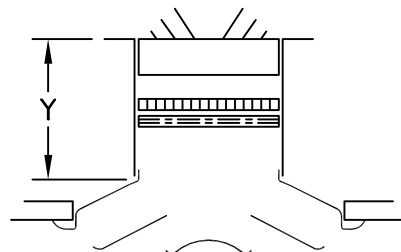


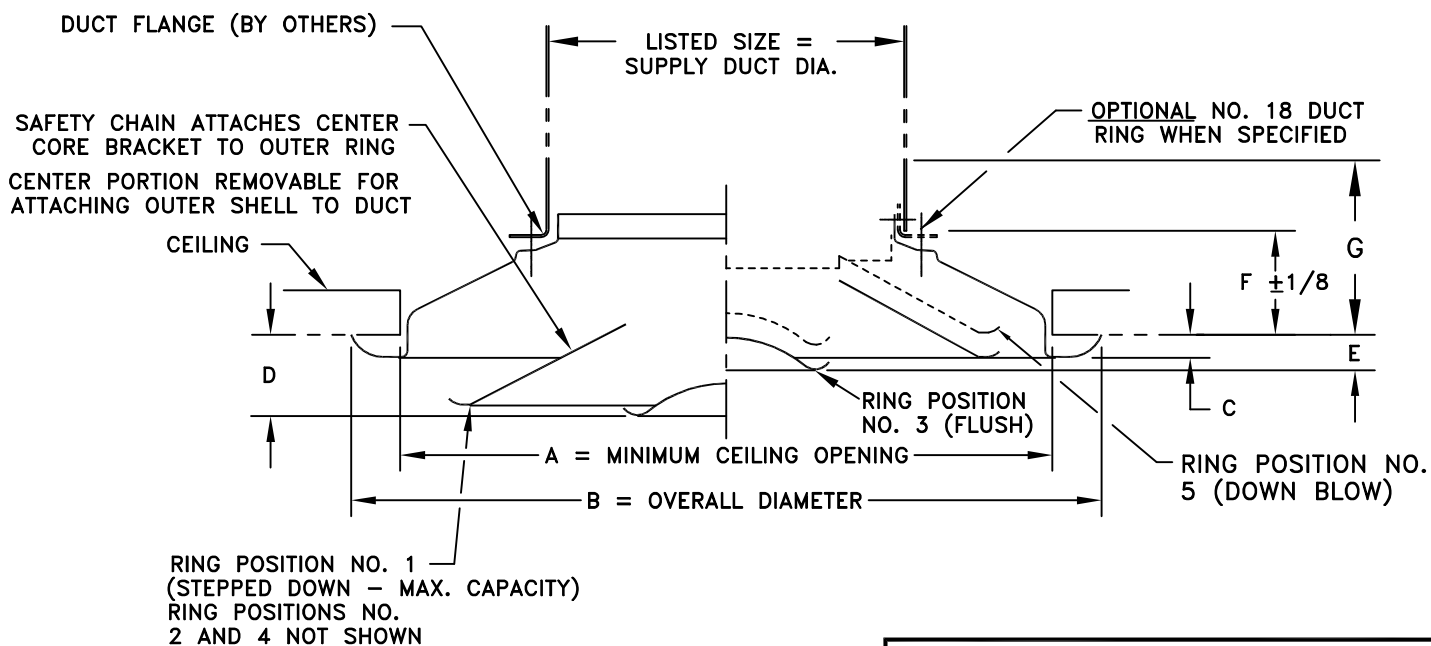
- STEEL CONSTRUCTION
- THICKNESS: .035 MINIMUM
- 5 STEP CORE ADJUSTMENT
- REMOVABLE CORE

DIFFUSER WITH OPTIONAL NO. 19  
DAMPER AND DOUBLE SR6 CONTROL GRIDS

• OPTIONS:



- DUCT RING SEE SD-9225
- NO. 19 DAMPER SEE SD-9226 (Duct Mount Only)
- SR6 CONTROL GRID SEE SD-9221
- FINISH: WHITE (W) ENAMEL



MINIMUM HEIGHTS				
DAMPER AND GRID	DAMPER DOUBLE GRIDS	DAMPER ONLY	GRID ONLY	DOUBLE GRIDS

LISTED SIZE	A	B	C	D	E	F	G	Y	Y	Y	Y	Y
6	11	12-5/8	3/8	1-3/8	3/4	1-3/4	2-15/16	7-3/8	7	5-1/4	4-1/4	5-1/8
8	14-3/4	17	1/2	1-13/16	15/16	2-5/16	3-11/16	7-7/8	7	5-1/4	4-1/4	5-1/8
10	18-3/8	21	5/8	2-3/16	1-1/16	2-15/16	4-11/16	9-1/8	7-3/16	5-7/16	4-7/16	5-3/16
12	21-15/16	25-1/4	5/8	2-9/16	1-1/4	3-1/2	5-7/16	9-1/16	7-1/8	5-3/8	4-3/8	5-1/4
14	25-1/2	28-1/2	11/16	2-7/8	1-5/16	4-1/4	6-5/16	8-15/16	7	5-1/4	4-1/4	5-1/8
16	29-1/8	33-7/8	7/8	3-3/8	1-9/16	4-3/4	7-1/4	9-1/2	7-7/8	5-1/2	4-13/16	6
18	32-3/4	37-1/2	1-1/16	4-3/16	1-13/16	5-3/8	8-13/16	9-3/4	8-1/8	5-3/4	5-1/16	6-1/4

JOB NAME: _____	SUBMITTED BY: _____	DATE: 4/11/08	SD-9200
LOCATION: _____		<b>20</b> <b>Steel</b> <b>Round Adjustable Diffuser</b>	
ARCHITECT: _____			
ENGINEER: _____			
CONTRACTOR: _____			