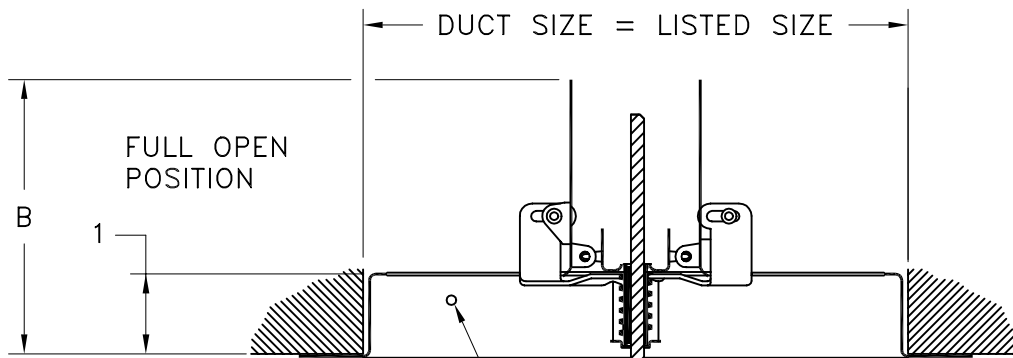
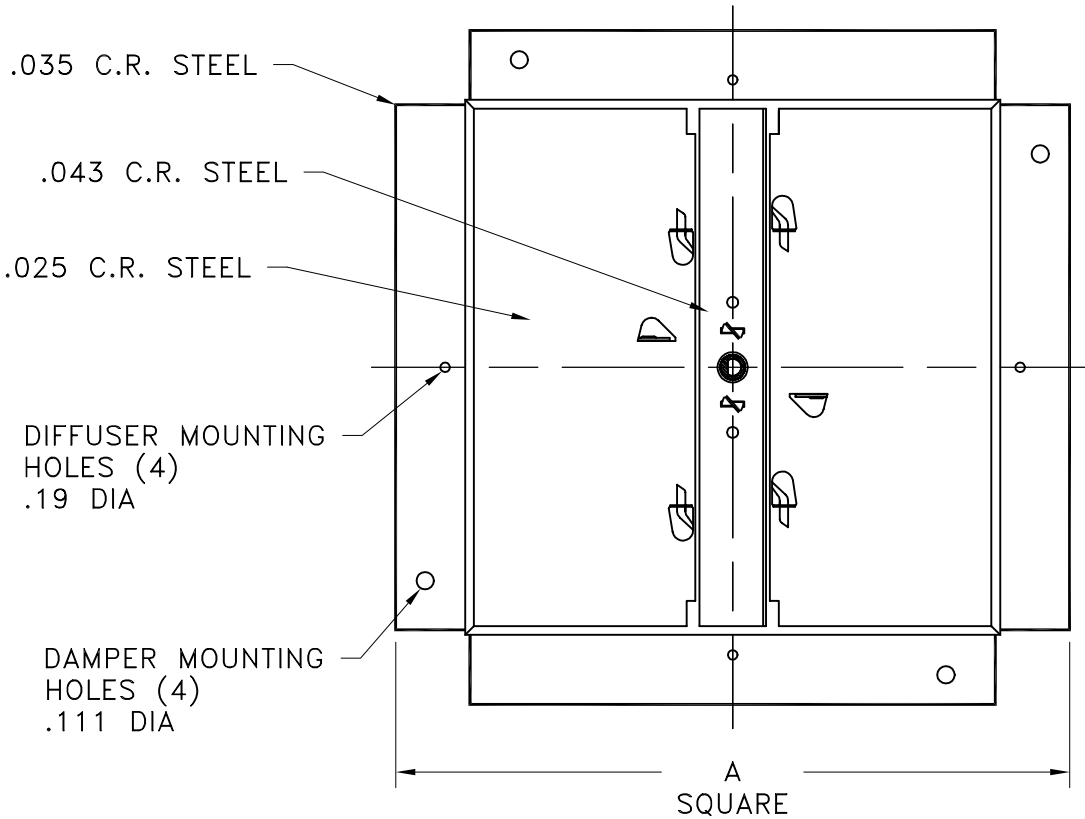


- ALL STEEL CONSTRUCTION
- FINISH: GOLDEN SAND (GS) ENAMEL



SIZE	A	B
6	6-13/16	3-11/16
8	8-13/16	4-11/16
10	10-13/16	5-11/16
12	12-13/16	6-11/16
14	14-13/16	7-11/16

JOB NAME: _____	SUBMITTED BY: _____	DATE: 8/17/99	SD-2211
LOCATION: _____	<p>NO. 22 Butterfly Damper</p>		
ARCHITECT: _____			
ENGINEER: _____			
CONTRACTOR: _____			