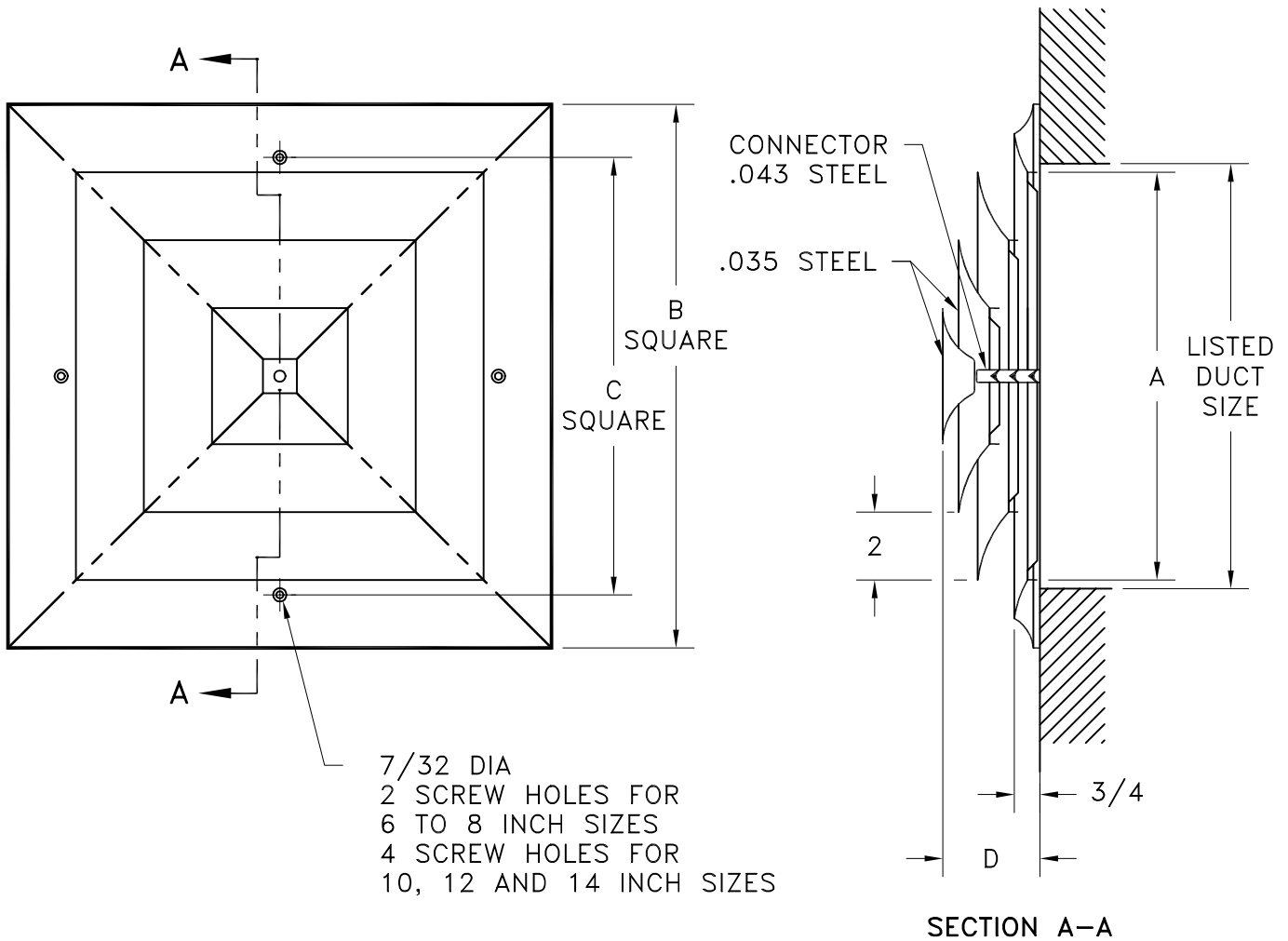


- ALL STEEL CONSTRUCTION
- OPTIONAL STEEL INSTALLATION FRAME, BUTTERFLY DAMPER OR OPPOSED BLADE DAMPER
- FINISH: WHITE (W) ENAMEL

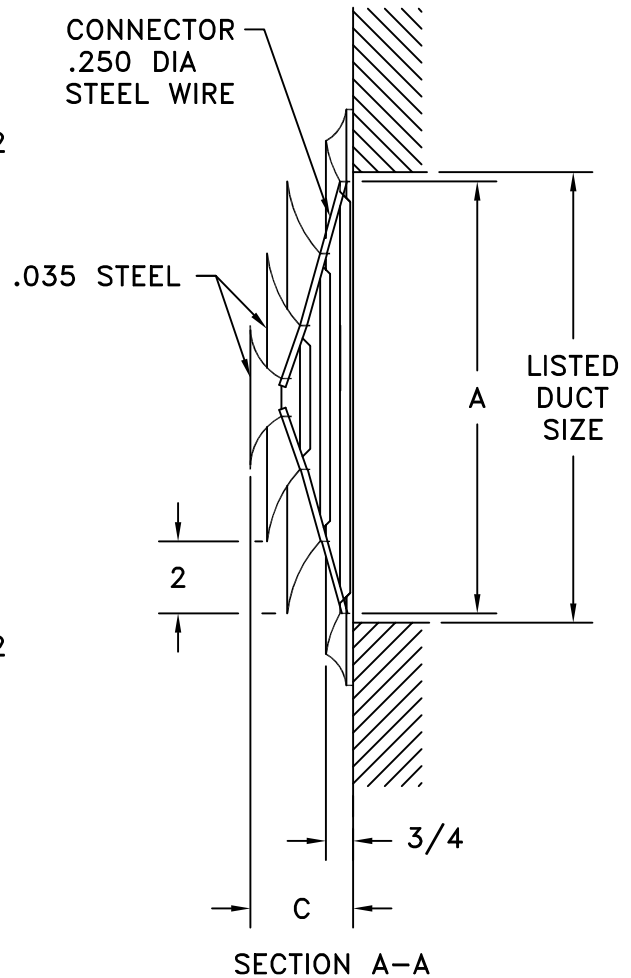
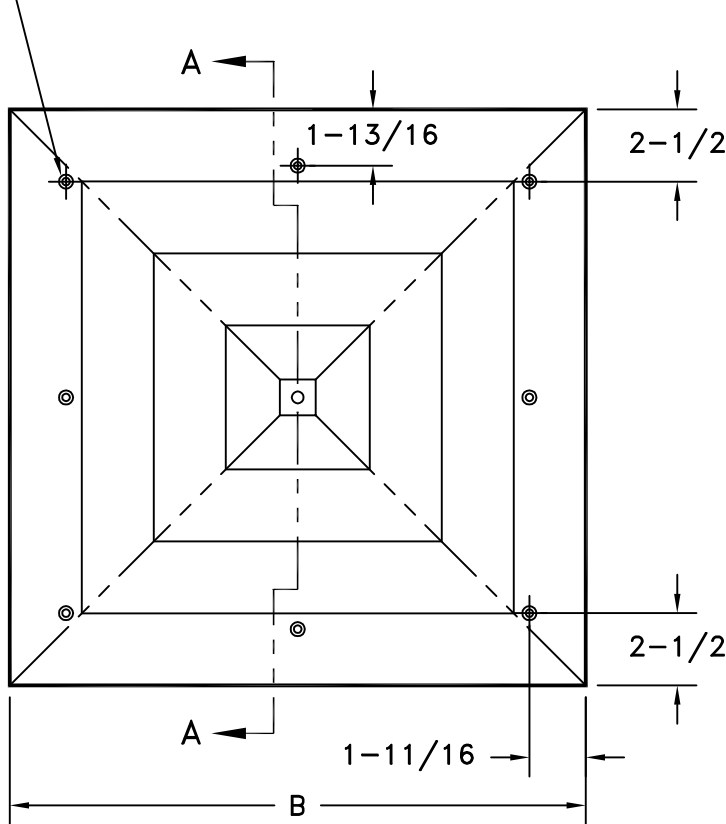


SIZE	A	B	C	D	NO. OF RINGS
6	5-3/4	11-1/2	6-1/2	1-25/32	3
8	7-3/4	13-1/2	8-1/2	2-31/64	3
10	9-3/4	15-1/2	10-1/2	2-31/64	3
12	11-3/4	17-1/2	12-1/2	3-1/16	4
14	13-3/4	19-1/2	14-1/2	3-1/16	4

JOB NAME: _____	SUBMITTED BY: _____	DATE: 4/21/00	SD-2213
LOCATION: _____	<p>24 Steel Square Diffuser Step Down Face Sizes 6 - 14 Inch</p>		
ARCHITECT: _____			
ENGINEER: _____			
CONTRACTOR: _____			

- STEEL CONSTRUCTION
- OPTIONAL STEEL INSTALLATION FRAME OR OPPOSED BLADE DAMPER
- FINISH: WHITE (W) ENAMEL

7/32 DIA HOLE WITH 11/32 DIA EMBOSS
 4 SCREW HOLES FOR 16 & 18 SIZES
 8 SCREW HOLES FOR 20, 22 & 24 SIZES



SIZE	A	B	C	NO. OF CONES
16	15-3/4	21-1/2	3-41/64	5
18	17-3/4	23-1/2	3-41/64	5
20	19-3/4	25-1/2	4-7/32	6
22	21-3/4	27-1/2	4-7/32	6
24	23-3/4	29-1/2	4-51/64	7

JOB NAME: _____	SUBMITTED BY: _____	DATE: 12/18/07	SD-2214
LOCATION: _____	24 Steel Square Diffuser Step Down Face Sizes 18 - 24 Inch		
ARCHITECT: _____			
ENGINEER: _____			
CONTRACTOR: _____			