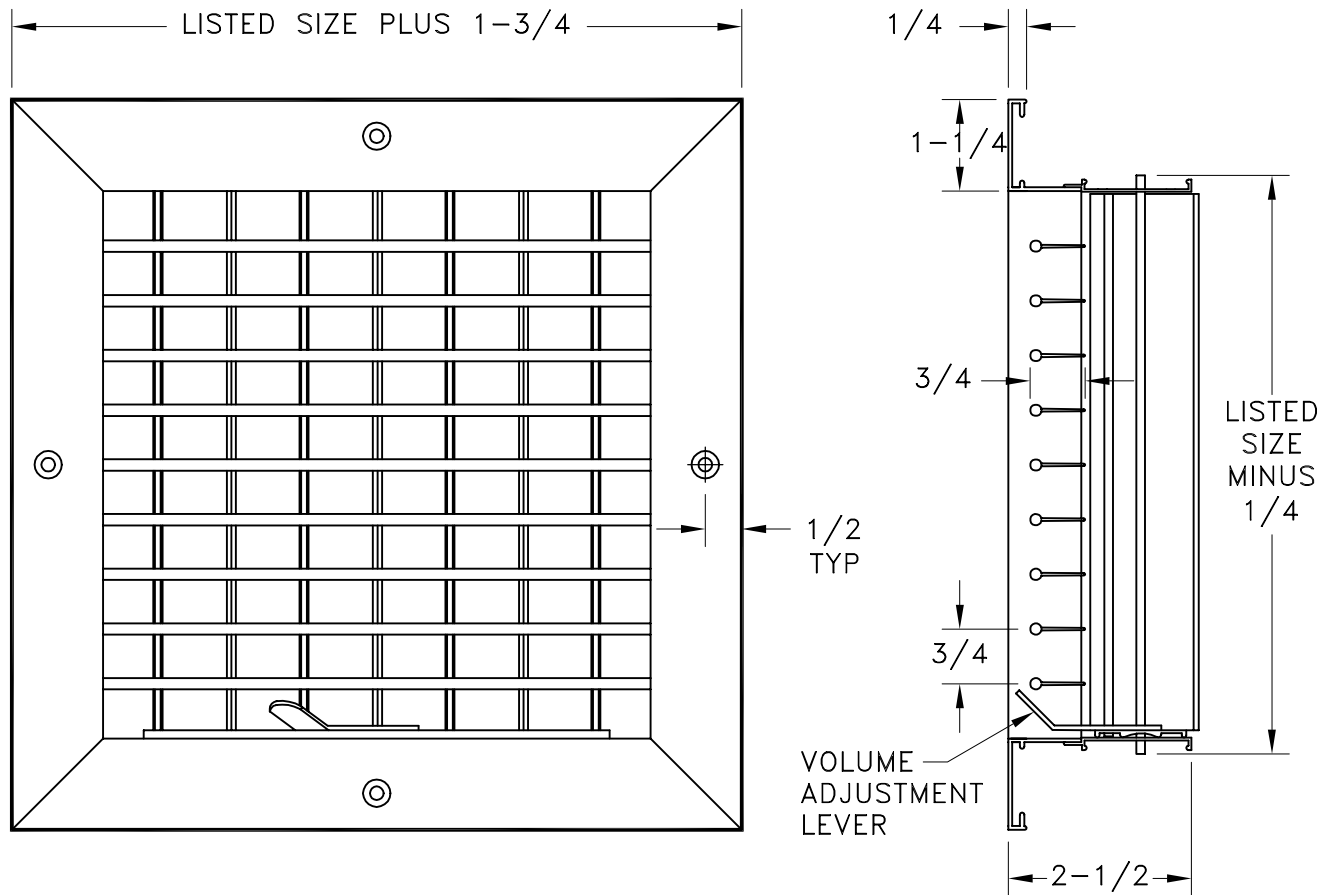


- ALL EXTRUDED ALUMINUM CONSTRUCTION
- INTEGRAL OPPOSED BLADE DAMPER WITH LEVER FOR FACE OPERATION
- MOUNTING SCREWS FURNISHED
- AVAILABLE IN SIZES 12 X 12 THROUGH 24 X 24 IN 2 INCH INCREMENTS
- CENTER MULLIONS PROVIDED ON SIZES OVER 18 x 18
- FINISH: WHITE (W) ENAMEL



JOB NAME: _____	SUBMITTED BY: _____	DATE: 4/21/00	SD-2310
LOCATION: _____		ECFM Aluminum Evaporative Cooler Diffuser	
ARCHITECT: _____			
ENGINEER: _____			
CONTRACTOR: _____			