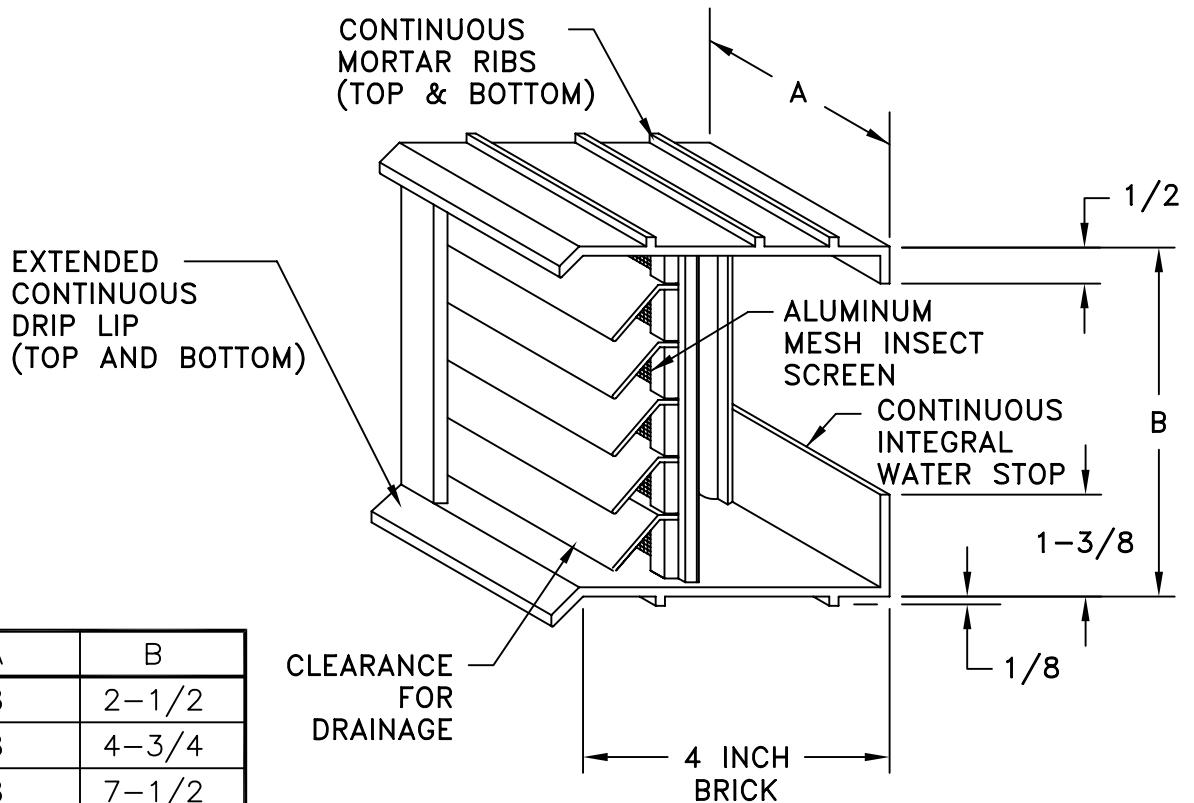


- 1/8 INCH EXTRUDED ALUMINUM CONSTRUCTION
- 6063-T5 ALLOY: SATIN ANODIZED FINISH IS STANDARD. CALL FACTORY FOR OTHER FINISHES AVAILABLE
- BRICK AND BLOCK MASONRY VENTS
- DEPTH IS 4 INCHES ONLY
- SPECIAL DESIGN FEATURES AFFORD MAXIMUM WEATHER PROTECTION
- AVAILABLE WITH OR WITHOUT OPPOSED BLADE DAMPER



SIZE	A	B
BV 802	8	2-1/2
BV 805	8	4-3/4
BV 808	8	7-1/2
BV 122	11-5/8	2-1/2
BV 125	11-5/8	4-3/4
BV 128	11-5/8	7-1/2
BV 162	16-3/8	2-1/2
BV 165	16-3/8	4-3/4
BV 168	16-3/8	7-1/2
BV 158	15-1/2	7-1/2
BV 242	24-3/4	2-1/2
BV 245	24-3/4	4-3/4
BV 248	24-3/4	7-1/2

JOB NAME: _____	SUBMITTED BY: _____	DATE: 6/16/09	SD-9710
LOCATION: _____	<p>BV Brick/Block Vent 4" Depth</p>		
ARCHITECT: _____			
ENGINEER: _____			
CONTRACTOR: _____			