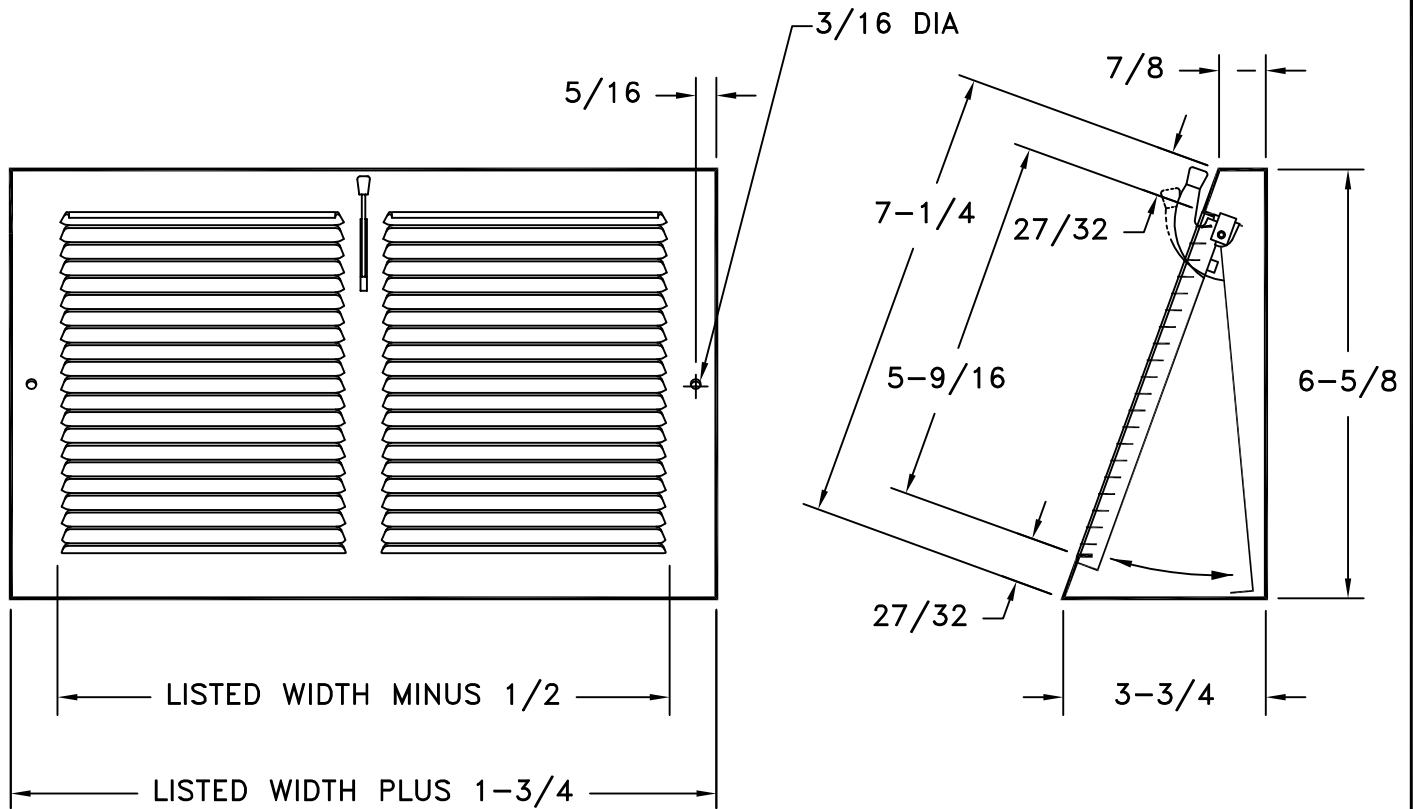


- ALL STEEL CONSTRUCTION
- IDEAL FOR BASEBOARD INSTALLATIONS
- 1/3 INCH SPACED FINS SET AT 20 DEGREES
- POSITIVE VOLUME-CONTROL DAMPER
- AVAILABLE IN SIZES 8 X 6, 10 X 6, 12 X 6 & 14 X 6
- FINISH: WHITE (W) ENAMEL



JOB NAME: \_\_\_\_\_  
 LOCATION: \_\_\_\_\_  
 ARCHITECT: \_\_\_\_\_  
 ENGINEER: \_\_\_\_\_  
 CONTRACTOR: \_\_\_\_\_

SUBMITTED BY: \_\_\_\_\_

DATE: 5/6/08

SD-2028

**655**  
Supply Register