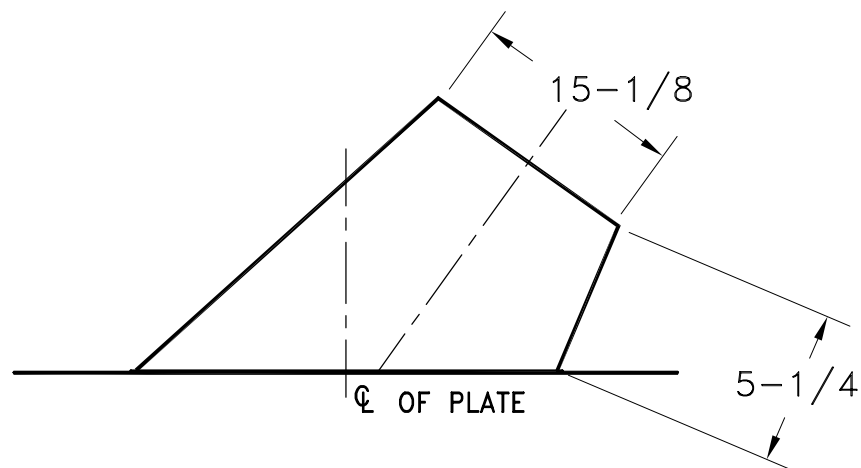
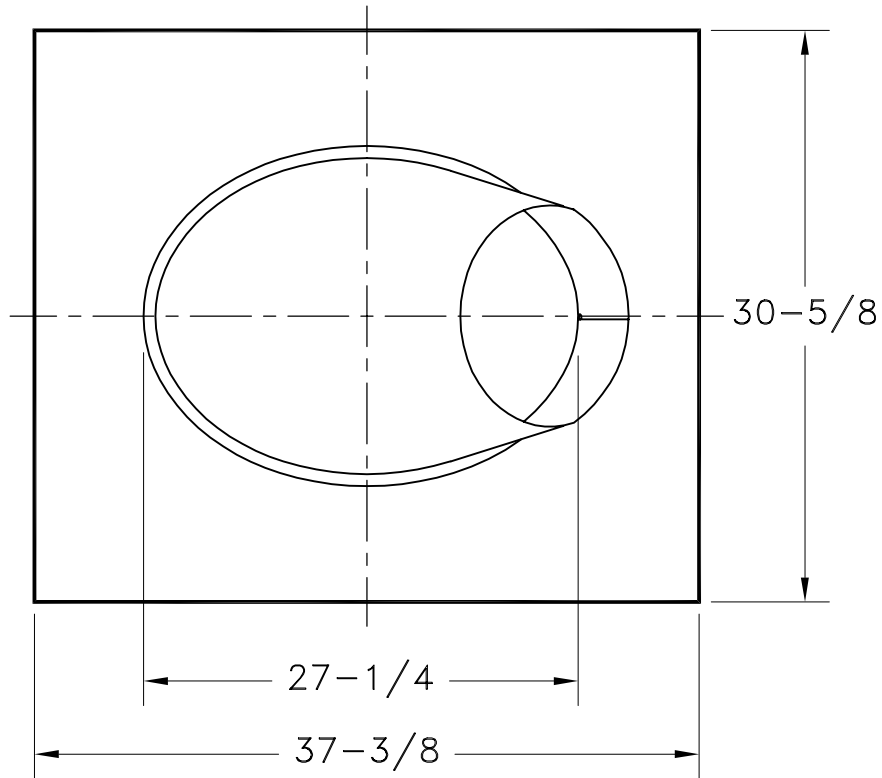


- MATERIAL: PLATE AND CONE – .018–.021 G90 GALVANIZED STEEL
- FOR ROOF PITCHES FROM 6/12 TO 12/12



JOB NAME: _____	SUBMITTED BY: _____	DATE: 1/27/99	SD-3502
LOCATION: _____		Adjustable Flashing	
ARCHITECT: _____		14RFA	
ENGINEER: _____		Assemble To Order	
CONTRACTOR: _____			