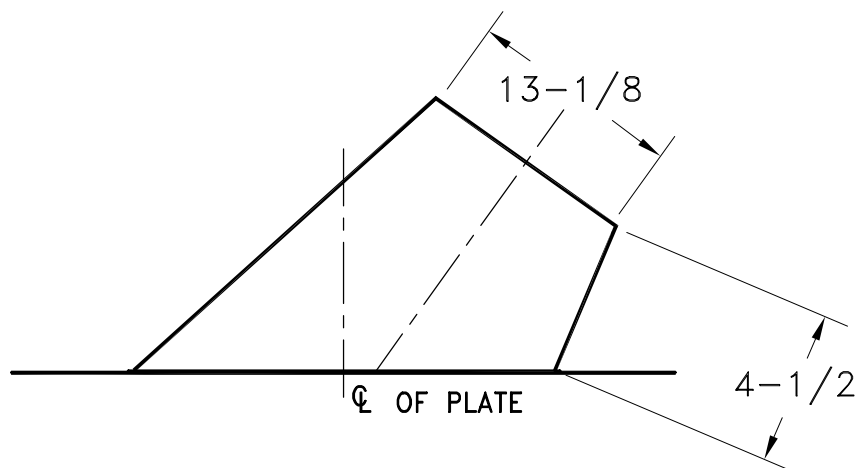
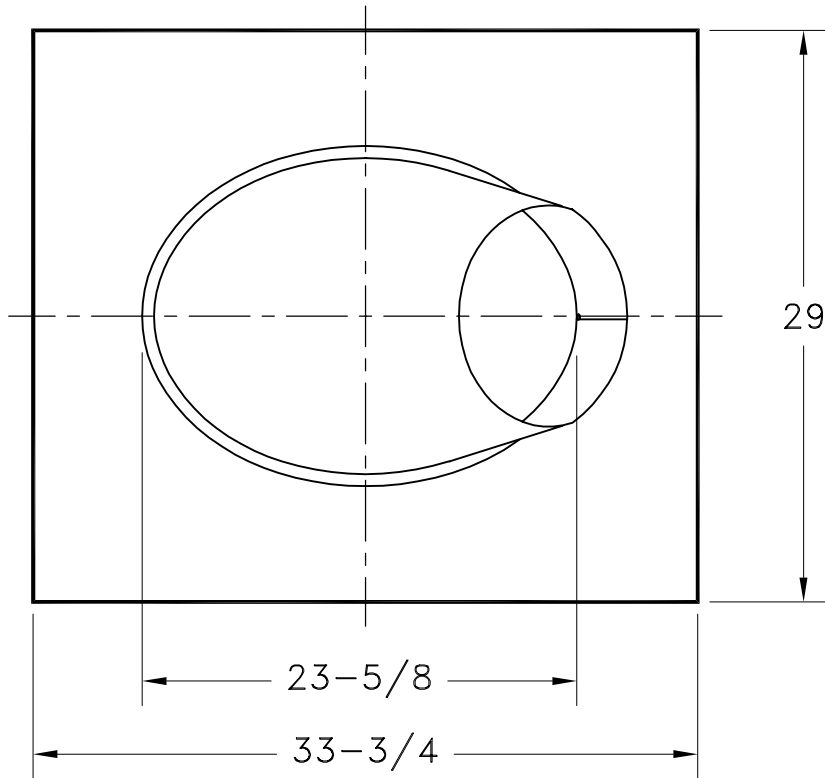


- MATERIAL: PLATE AND CONE – .018–.021 G90 GALVANIZED STEEL
- FOR ROOF PITCHES FROM 6/12 TO 12/12



JOB NAME: _____	SUBMITTED BY: _____	DATE: 1/27/99	SD-3501
LOCATION: _____		Adjustable Flange 12RFA Assemble To Order	
ARCHITECT: _____			
ENGINEER: _____			
CONTRACTOR: _____			