



Hart & Cooley
install confidence

Model TLC All-Fuel Chimney

Edition 4



Hart & Cooley
install confidence

Hart & Cooley, Inc. 800.433.6341 *p*
5030 Corporate Exchange Blvd. SE 616.656.8200 *p*
Grand Rapids, MI 49512 800.223.8461 *f*
info@hartcool.com 616.656.6399 *f*
www.hartandcooley.com

Order information:

To order Hart & Cooley products,
please contact any authorized
Hart & Cooley distributor or
call 800.433.6341.

When you purchase Hart & Cooley products, you
also receive the full support of Hart & Cooley
technical and customer service.

Technical and customer service:

800.433.6341 *toll-free*
616.656.8200 *phone*
800.223.8461 *toll-free fax*
616.656.6399 *fax*

Internet address:

<http://www.hartandcooley.com>

**Install confidence with these quality products
from Hart & Cooley:**

- Grilles, Registers & Diffusers
- Type B Gas Vent Systems
- Special Gas Vent
- Model TLC All-Fuel Chimney
- Duct System Components
- Flexible Duct Systems

MODEL TLC ALL-FUEL CHIMNEY

INTRODUCTION 2

FLASHINGS AND STORM COLLARS

 ROOF FLASHING SELECTION CHART 13

 ADJUSTABLE FLASHING ASSEMBLY 13

 TALL CONE FLASHING 13

 RUBBER BOOT FLASHING KIT 14

 STORM COLLAR 14

 SILICONE SEALANT FOR STORM COLLAR ... 14

RAIN CAPS

 RAIN CAPS 15&16

 SPARK ARRESTERS 16

STAINLESS STEEL CHIMNEY LENGTHS

 CHIMNEY SECTIONS 3

 STAINLESS STEEL LOCKING BANDS 3

STAINLESS STEEL ELBOWS AND TEES

 CHIMNEY OFFSET CHARTS 4

 INSULATED 15°, 30° AND 45° ELBOW KITS ... 6

 INSULATED TEE WITH TEE CAP 7

 INSULATED TEE CAP 7

SUPPORTS

 ADJUSTABLE WALL SUPPORT 8

 ADJUSTABLE INTERMEDIATE WALL SUPPORT . 8

 CEILING SUPPORTS 9

 CATHEDRAL CEILING SUPPORT BOX 9

 ADJUSTABLE ROOF SUPPORTS 10

PARTS AND ACCESSORIES

 WALL BAND 17

 ADJUSTABLE CEILING PLATE 17

 STOVEPIPE ADAPTER 18

 SOFFIT PLATE 18

 MATTE BLACK TRIM COLLAR 18

 ADJUSTABLE UNIVERSAL ROOF GUY KIT ... 19

 SHIELDING INSULATION WRAP 19

 ANCHOR PLATE 19

SHIELDS

 ATTIC INSULATION SHIELD 11

 FIRESTOP RADIATION SHIELD 11

 FIRESTOP/JOIST SHIELD 11

 RAFTER RADIATION SHIELD 12

 BLACK WALL THIMBLE 12

TYPICAL INSTALLATIONS

 DECORATOR CEILING SUPPORT INSTALLATIONS .20

 WALL SUPPORT INSTALLATION 20

 CATHEDRAL SUPPORT INSTALLATION 20

LIMITED LIFETIME WARRANTY 21

Introduction

MODEL TLC ALL-FUEL CHIMNEY

Model TLC All-Fuel Chimney offers current technology in factory-built chimney design by providing superior performance, durability and safety.

Certification & Applications

Model TLC is safety-tested and listed to applicable UL safety standards for chimneys serving solid-fuel and liquid-fuel appliances. This includes UL 103.



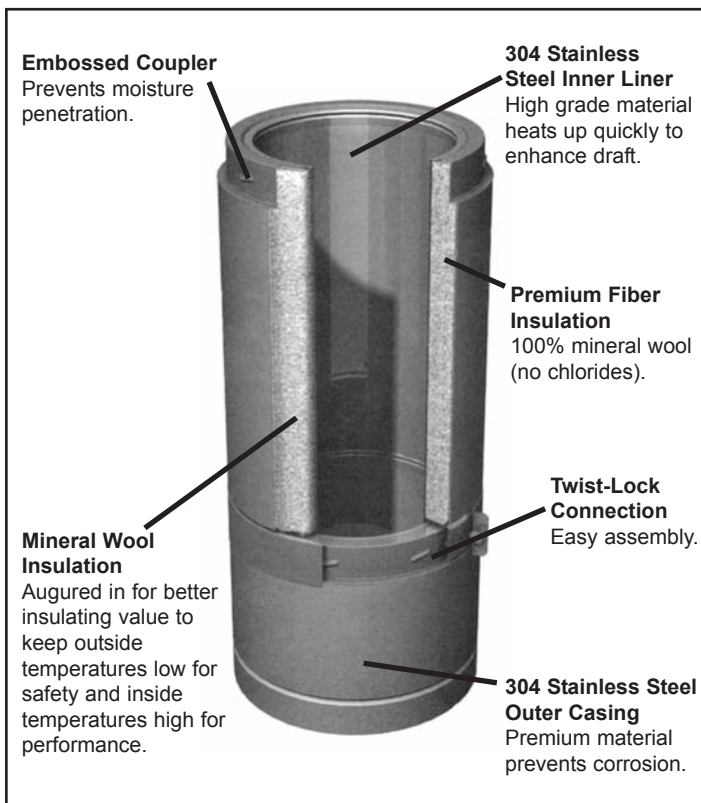
This chimney system is designed for use on appliances that use solid, liquid or gas fuels under natural draft conditions.

Allowable flue gas temperatures are:

	Type HT 5" to 8"	Non-HT 10" to 14"
Maximum Continuous	1000°F	1000°F
Brief Forced Firing (1 hr.)	1400°F	1400°F
Creosote Burn-Out (10 min.)	2100°F	1700°F

Lifetime Warranty

See the written lifetime warranty for all chimney components on page 20.



Enhanced Features

Model TLC is extremely corrosion-resistant. Both the inner liner and outer casings are constructed of 304 stainless steel. Embossed couplers do not allow moisture to penetrate the chimney's outer wall. Sections simply twist-lock together and are secured with Locking Bands. The Model TLC product line features deluxe chimney support components that will enhance any installation. Black trims are used to embellish the chimney support component parts that may be installed inside the home.

Supports

All Model TLC supports are designed to carry four times the UL-listed weight of the listed height.

Construction

Sizes: 5" to 14"

Inner Liner (Flue): Type 304 Series Stainless Steel
0.016" thickness

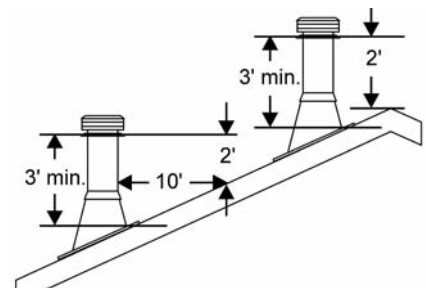
Outer Casing: Type 304 Stainless Steel
0.015" thickness

Insulation: The 1" space between the inner/outer walls is packed with mineral wool fiber insulation to provide superior insulating qualities in a slim-line design.

Airspace Clearance to Combustibles: 2"

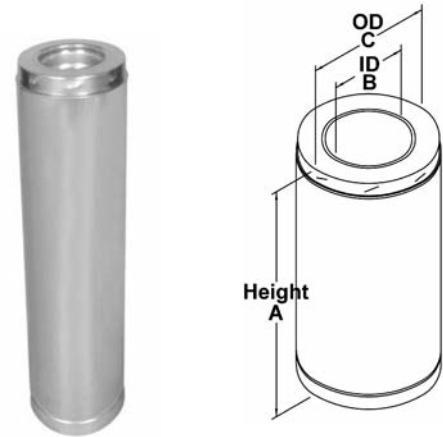
Height Requirements

The chimney must extend at least three feet above the highest point where it passes through the roof surface and at least two feet higher than any part of the building within a horizontal distance of ten feet.



Chimney Lengths

- Slim, advanced design allows for installation between 16" centers and still provides 2" clearance from combustible material.
- Secure twist-lock design couples chimney sections together with just a 1/8 turn. Locking bands secure joints.
- Includes locking band.
- Sections overlap by 1 1/8".
- Chimneys are sized according to the inner diameter and are available in 5" through 14".
- The outside diameter is 2" larger than the inside diameter.

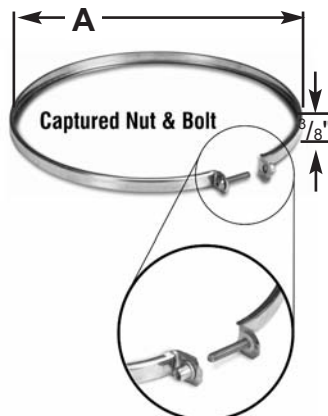


Model Number	Size	Dimensions		
		Height A	ID B	OD C
5TLC36	5"	36"	5"	7"
5TLC24		24"	5"	7"
5TLC18		18"	5"	7"
5TLC12		12"	5"	7"
5TLC6		6"	5"	7"
6TLC48	6"	48"	6"	8"
6TLC36		36"	6"	8"
6TLC24		24"	6"	8"
6TLC18		18"	6"	8"
6TLC12		12"	6"	8"
6TLC6	6"	6"	8"	
7TLC48	7"	48"	7"	9"
7TLC36		36"	7"	9"
7TLC24		24"	7"	9"
7TLC18		18"	7"	9"
7TLC12		12"	7"	9"
7TLC6	6"	7"	9"	
8TLC48	8"	48"	8"	10"
8TLC36		36"	8"	10"
8TLC24		24"	8"	10"
8TLC18		18"	8"	10"
8TLC12		12"	8"	10"
8TLC6	6"	8"	10"	

Model Number	Size	Dimensions		
		Height A	ID B	OD C
10TLC36	10"	36"	10"	12"
10TLC24		24"	10"	12"
10TLC18		18"	10"	12"
10TLC12		12"	10"	12"
10TLC9		9"	10"	12"
10TLC6	6"	10"	12"	
12TLC36	12"	36"	12"	14"
12TLC24		24"	12"	14"
12TLC18		18"	12"	14"
12TLC12		12"	12"	14"
12TLC9		9"	12"	14"
12TLC6	6"	12"	14"	
14TLC36	14"	36"	14"	16"
14TLC24		24"	14"	16"
14TLC18		18"	14"	16"
14TLC12		12"	14"	16"
14TLC9		9"	14"	16"
14TLC6	6"	14"	16"	

Stainless Steel Locking Bands

- Locking bands are used at all joints for safety and stability.
- Locking band flanges engage the curl in each end of the adjoining sections, holding them securely together.

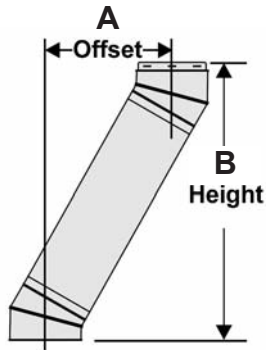


Model Number	Size	Dimension
		A
5TLCLB	5"	7"
6TLCLB	6"	8"
7TLCLB	7"	9"
8TLCLB	8"	10"
10TLCLB	10"	12"
12TLCLB	12"	14"
14TLCLB	14"	16"

Chimney Offset Charts

It may be necessary to offset the chimney in order to clear a joist or an obstacle. The three (3) charts on the following page will assist you in selecting the proper combination of elbow angle and chimney length(s) that will provide the necessary degree of offset within an available height.

1. Select the column with the proper chimney diameter of your system.
2. Determine the distance of the offset required by dropping a plumb line for an accurate measurement. The offset is measured at the chimney centerline, as per the "A" Offset measurement in the diagram below.



3. On the chart, find the predetermined distance (under the "A" column) required for the 15° elbow. For greater offset, use the 30° or 45° offset charts.

NOTE: The 45° elbows may be used **ONLY** with oil or gas appliances.

4. After finding the offset, look at the "B" (height) measurement in the chart to find the specified height. The appropriate "chimney lengths" required in between elbows is found in the left-hand side column of each chart.

NOTE:

- Model TLC chimneys are limited to offsets not exceeding 30°. Combining offsets for greater angle is not permitted. **The 45° elbows may be used ONLY with oil or gas appliances.**
- One pair of (two) elbows may be used for interior installation only.
- Never install an elbow in a joist area. Chimney sections must pass vertically through framed joist areas.
- Locking Bands must be used at all chimney joints.
- Each elbow resupport will support 15 feet of chimney.
- The maximum length of chimney allowed between elbows is 6 feet.

Chimney Offset Charts

15° OFFSET CHART								
Chimney Lengths	5" Diameter		6" Diameter		7" Diameter		8" Diameter	
	A	B	A	B	A	B	A	B
none	1-1/2"	9"	1-1/8"	10"	1-1/8"	10-1/4"	1-1/4"	10-3/8"
6"	2-1/8"	13-1/2"	2-3/8"	14-1/4"	2-3/8"	15"	2-1/2"	15-5/8"
12"	4"	19-1/8"	4"	20-1/2"	4-1/16"	20-3/4"	4-1/8"	21"
18"	5-1/2"	25"	5-1/2"	26-1/4"	5-1/2"	26-1/2"	5-5/8"	26-3/4"
24"	7-1/2"	30-1/2"	7"	32"	7-1/16"	32-1/4"	7-1/8"	32-1/2"
36"	10-1/8"	42"	10-1/4"	43-5/8"	10-1/4"	44"	10-1/4"	44-1/8"
6" + 36"	11-1/4"	48-1/4"	11-3/8"	48-3/8"	11-1/2"	48-5/8"	11-1/2"	48-7/8"
12" + 36"	12-3/4"	54"	13"	54-1/8"	13"	54-3/8"	13"	54-5/8"
18" + 36"	14-3/8"	59-3/4"	14-1/2"	60"	14-1/2"	60-1/8"	14-5/8"	60-3/8"
24" + 36"	16"	65-1/2"	16-1/8"	65-3/4"	16-1/8"	66"	16-1/8"	66-1/4"
12"+24"+36"	19"	76-1/4"	19"	76-1/4"	19"	76-1/2"	19"	76-3/4"

30° OFFSET CHART								
Chimney Lengths	5" Diameter		6" Diameter		7" Diameter		8" Diameter	
	A	B	A	B	A	B	A	B
None	3"	10"	2-3/4"	11-5/8"	3-1/8"	13"	3-1/2"	14-1/2"
6"	5-1/4"	14"	5-1/4"	15-7/8"	5-5/8"	17-1/4"	6"	18-3/8"
12"	9"	19-1/4"	8-1/4"	21"	8-5/8"	22-3/8"	9"	24"
18"	11-1/4"	24-1/2"	11-1/4"	26-1/4"	11-5/8"	27-5/8"	12"	29-1/8"
24"	14-1/4"	29-3/4"	14-1/4"	31-3/8"	14-5/8"	32-7/8"	15"	32-3/8"
36"	20"	39-3/4"	20-1/4"	41-7/8"	20-5/8"	43-1/4"	21"	44-3/4"
6" + 36"	21-7/8"	44-1/2"	22-5/8"	46"	23"	47-1/2"	23-1/2"	49"
12" + 36"	23-7/8"	50-1/8"	25-5/8"	51-1/4"	26"	52-5/8"	26-1/2"	54-1/8"
18" + 36"	27-1/8"	55-1/8"	28-5/8"	56-3/8"	29"	57-3/8"	29-1/2"	59-3/8"
24" + 36"	30-3/8"	60-5/8"	31-5/8"	61-5/8"	32"	63"	32"	64-1/2"
12"+24"+36"	37"	69-3/8"	37-1/8"	71"	37-1/2"	72-1/2"	38"	74"

45° OFFSET CHART (oil and gas fuel only)								
Chimney Lengths	5" Diameter		6" Diameter		7" Diameter		8" Diameter	
	A	B	A	B	A	B	A	B
None	6"	10-1/8"	4-3/8"	12"	5-1/2"	14"	5-3/4"	15-1/8"
6"	9-1/8"	13-5/16"	7-3/4"	15-5/8"	9-3/4"	18"	9-1/2"	19-1/4"
12"	13-3/8"	17-1/2"	11-7/8"	19-3/4"	13"	21-3/4"	13"	22-1/2"
18"	17-5/8"	21-3/4"	16"	23-7/8"	17-1/4"	25-3/8"	17"	27"
24"	21-13/16"	26"	20-1/2"	27-3/4"	21-3/4"	29-7/8"	21-5/8"	31"
12" + 24"	29-5/16"	33-7/16"	23-7/8"	31-3/8"	25-5/8"	32-3/4"	24-5/8"	34-1/2"
36"	30-3/8"	34-1/2"	28-1/2"	36-7/8"	30-5/8"	38-1/8"	29-5/8"	39-7/8"
12" + 36"	37-3/4"	41-7/8"	36-1/4"	44-3/8"	38-1/8"	45-1/8"	38-1/8"	47"
18" + 36"	42"	46-3/16"	40-1/8"	49-1/4"	42-3/4"	49-1/4"	41-7/8"	51-1/2"
24" + 36"	46-1/4"	50-7/16"	47-7/8"	56-1/2"	50-1/2"	57-3/8"	49"	59-3/8"
12"+24"+36"	53-5/8"	57-7/8"	41-1/2"	45-5/8"	38-1/4"	46-1/2"	38-1/2"	48-7/8"

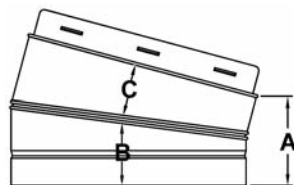
Construction tolerances
± one inch

Stainless Steel Elbows and Tees



Insulated 15°, 30° and 45° Elbow Kits

- The insulated elbow is used when offset is required.
- Locking bands must be used on all elbows.
- A maximum of 6 feet is allowable between offsets.
- Elbow is fully insulated and can be used with the same 2-inch clearance as chimney lengths.
- Elbow support must be used with all offset installations and will support 15 feet of chimney.
- Elbows do not have twist-locking ridges, so they can be rotated to attain optimum positioning offset and allow chimney to return to correct vertical alignment prior to installing locking bands.
- May not be used outdoors.
- 10", 12" and 14" sizes available in 15° and 30° elbow kits only.
- **45° elbows may be used only with oil or gas appliances.**
- Elbow kits include: 2 elbows (Exception: 12" and 14" sizes include four 15° elbows assembled into two 30° elbows)
 2 locking bands (Exception: 10", 12" and 14" sizes include four locking bands)
 1 elbow support
 All hardware



Size	Model Number	Dimensions (inches)			
		A	B*	C	
15°	5"	5TLCEK15	3 ³ / ₈	2 ⁷ / ₁₆	1 ¹⁵ / ₁₆
	6"	6TLCEK15	3 ³ / ₈	2 ¹ / ₂	2
	7"	7TLCEK15	3 ³ / ₈	2 ⁹ / ₁₆	2 ¹ / ₁₆
	8"	8TLCEK15	3 ³ / ₈	2 ⁵ / ₈	2 ¹ / ₈
	10"	10TLCEK15	2 ¹ / ₂	5 ¹ / ₂	N/A
	12"	12TLCEK15	2 ¹ / ₄	5 ³ / ₄	N/A
	14"	14TLCEK15	2	6	N/A

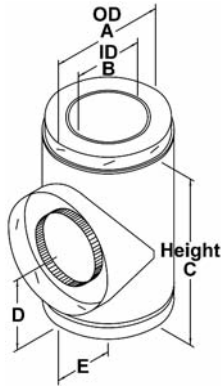
Size	Model Number	Dimensions (inches)			
		A	B	C	
30°	5"	5TLCEK30	2 ³ / ₄	2 ⁹ / ₁₆	2 ⁹ / ₁₆
	6"	6TLCEK30	3 ¹ / ₄	3 ¹ / ₁₆	2 ⁹ / ₁₆
	7"	7TLCEK30	3 ³ / ₄	3 ⁷ / ₁₆	2 ¹⁵ / ₁₆
	8"	8TLCEK30	4 ¹ / ₄	3 ⁷ / ₈	3 ³ / ₈
	10"	10TLCEK30	5	3 ⁷ / ₈	3 ¹ / ₂
	12"	12TLCEK30	4	4 ¹ / ₄	4
	14"	14TLCEK30	4 ¹ / ₄	4 ¹ / ₄	4 ¹ / ₄

Size	Model Number	Dimensions (inches)			
		A	B	C	
45° elbows may be used only with oil or gas appliances.					
45°	5"	5TLCEK45	1 ¹⁵ / ₁₆	2 ³ / ₄	2 ³ / ₈
	6"	6TLCEK45	2 ¹ / ₈	3 ¹ / ₈	2 ⁹ / ₁₆
	7"	7TLCEK45	2 ³ / ₈	3 ³ / ₈	3
	8"	8TLCEK45	2 ⁹ / ₁₆	3 ³ / ₄	3 ⁵ / ₁₆

*10" to 14" 15° elbows B dimension is total height.

Insulated Tee with Tee Cap

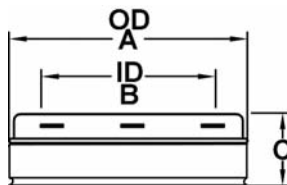
- The insulated chimney tee may be used for through-the-wall installation, using a wall support.
- A chimney length is required to pass safely through a wall.
- Includes the following:
 - Two locking bands
 - 5" to 8" sizes have an **uninsulated** (single-wall) twist-lock tee cap for non-wall support applications only.
 - 10" to 14" sizes have an insulated press fit tee cap.



Model Number	Size	Dimensions (inches)				
		OD A	ID B	Height C	D	E
5TLCT	5"	7	5	10 ^{1/2}	5	5
6TLCT	6"	8	6	11 ^{1/2}	5 ^{5/8}	5 ^{3/4}
7TLCT	7"	9	7	12 ^{1/4}	6 ^{1/4}	6 ^{3/16}
8TLCT	8"	10	8	13 ^{3/8}	6 ^{5/8}	6 ^{1/2}
10TLCT	10"	12	10	16 ^{3/4}	8 ^{3/8}	8 ^{3/8}
12TLCT	12"	14	12	18 ^{3/4}	9 ^{3/8}	9 ^{3/8}
14TLCT	14"	16	14	20 ^{3/4}	10 ^{3/8}	10 ^{3/8}

Insulated Tee Cap

- Permits typical 2" airspace clearance to combustibles.
- 5" to 8" sizes are twist-lock and for non-wall support applications only.
- 10" to 14" sizes are press-fit design.

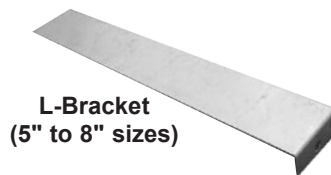
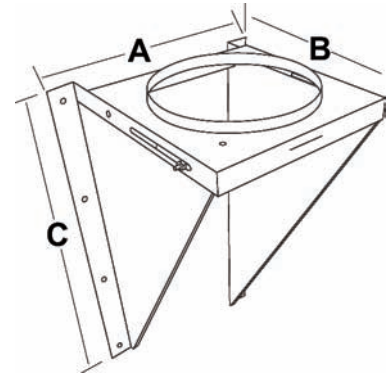


Model Number	Size	Dimensions (inches)		
		OD A	ID B	C
5TLCITP	5"	7	5	2 ^{7/8}
6TLCITP	6"	8	6	2 ^{7/8}
7TLCITP	7"	9	7	2 ^{7/8}
8TLCITP	8"	10	8	2 ^{7/8}
10TLCITP	10"	12	10	N/A
12TLCITP	12"	14	12	N/A
14TLCITP	14"	16	14	N/A

Adjustable Wall Support

- Used to support the chimney on a through-the-wall installation.
- 5" to 8" sizes include top plate, side brackets, hardware, non-twist-lock insulated tee cap, and a long L-bracket to hold tee cap in place.
- 10" to 14" sizes do not include the cap. Use tee cap packaged with tee.
- 2" to 6" clearance away from wall.
- 5" to 8" sizes support between 30 feet and 74 feet of chimney, based on size and orientation. See instructions for specific heights.
- 10" to 14" sizes support up to 40 feet of chimney.
- **12" to 14" sizes are nonadjustable supports.**

Model Number	Size	Dimension (inches)			
		A	B	C	Adjustability
5TLCAWS	5"	12	10 ⁵ / ₈	18 ⁷ / ₈	4
6TLCAWS	6"	12	10 ⁵ / ₈	18 ⁷ / ₈	4
7TLCAWS	7"	13	11 ⁵ / ₈	20 ¹ / ₂	4
8TLCAWS	8"	14	12 ⁵ / ₈	21 ⁷ / ₈	4
10TLCAWS	10"	16	14 ⁵ / ₈	25 ¹ / ₄	nonadjustable
12TLCAWS	12"	19	16 ¹ / ₂	23	
14TLCAWS	14"	21	18 ¹ / ₂	27	



L-Bracket
(5" to 8" sizes)



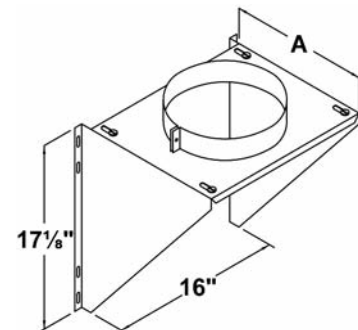
Non-Twist-Lock
Insulated Tee Cap
(5" to 8" sizes)

Adjustable Intermediate Wall Support

- Used as supplementary support when chimney system height exceeds maximum height allowed by wall support.
- Supports an additional 38 feet of chimney.
- Includes top plate, support band, side brackets, and hardware.
- 2" to 6" clearance away from wall.



Model Number	Size	Dimension (inches)
		A
6TLCIWS	6"	11
7TLCIWS	7"	12
8TLCIWS	8"	13



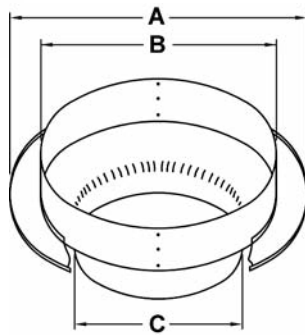
Ceiling Supports

- For use in ceiling support installations.
- Supports a total of 50 feet of chimney above.
- Chimney pipe **cannot** pass below support.
- Matte black finish with ceiling ring to cover rough opening.
- Also acts as a firestop.
- Must always use stovepipe adapter. See page 17.

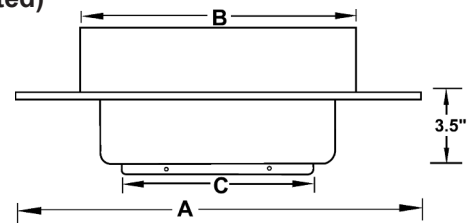
Model Number	Size	Dimensions (inches)		
		A	B	C
5TLCCSR	5"	16 ⁷ / ₈	11 ³ / ₈	6 ³ / ₄
6TLCCSR	6"	17 ⁷ / ₈	12 ³ / ₈	7 ³ / ₄
7TLCCSR	7"	18 ⁷ / ₈	13 ³ / ₈	8 ³ / ₄
8TLCCSR	8"	19 ⁵ / ₈	14 ³ / ₈	9 ³ / ₄
10TLCCS	10"	18 ¹ / ₂	16 ¹ / ₄	10 ¹ / ₄



5" to 8" sizes
(painted black)



10" size
(unpainted)

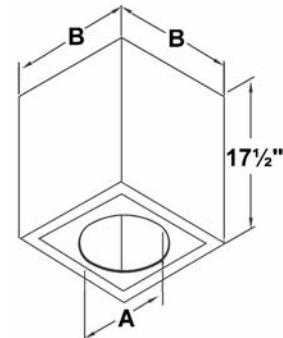


Cathedral Ceiling Support Box

- Used in pitched ceiling support installations.
- Supports a total of 38 feet of chimney with up to 15 feet below support. Includes support clamp, allowing chimney pipe to pass below support.
- Matte black finish with ceiling trim to cover rough opening.
- Also acts as a firestop with use of trim plate.
- 12/12 maximum pitch.



Model Number	Size	Dimensions (inches)	
		A	B
5TLCCSS	5"	7 ¹ / ₈	11
6TLCCSS	6"	8 ¹ / ₈	12
7TLCCSS	7"	9 ¹ / ₈	13
8TLCCSS	8"	10 ¹ / ₈	14

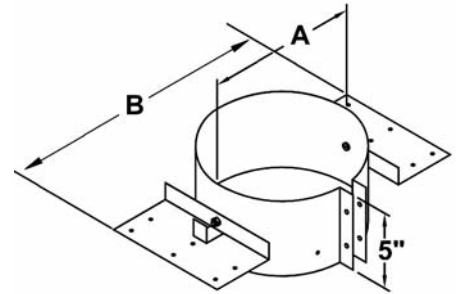


Adjustable Roof Support

- The roof support may be used on a floor, ceiling or roof, and adjusts to any roof pitch.
- It may be used above an offset to support the offset or as a supplementary support when the chimney height exceeds that of the primary support.
- Supports a total of 50 feet of chimney with up to 20 feet below support.
- Does not act as a firestop.



Model Number	Size	Dimensions (inches)	
		A	B
5TLCRS	5"	7	16
6TLCRS	6"	8	17
7TLCRS	7"	9	18
8TLCRS	8"	10	19

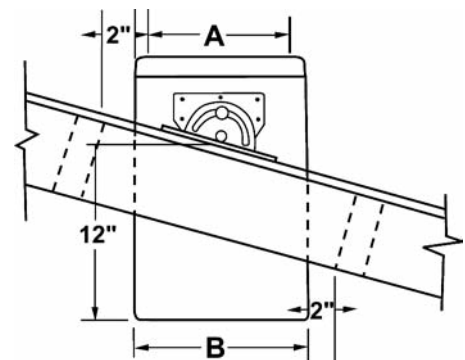


Adjustable Roof Support

- Contains one 18-inch length of pipe with roof brackets preinstalled. Includes hardware.
- Fits all roof pitches. Mounts easily on top of roof.
- Supports a total of 30 feet with up to 20 feet below the support.
- Does not act as a firestop.

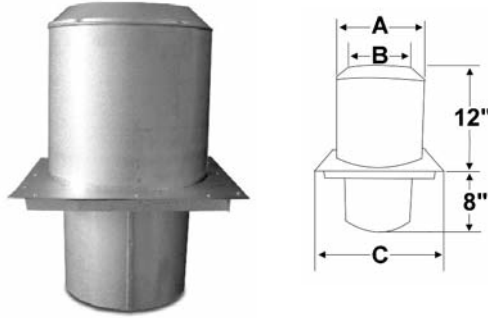


Model Number	Size	Dimensions (inches)	
		A	B
10TLCRS	10"	10	12
12TLCRS	12"	12	14
14TLCRS	14"	14	16



Attic Insulation Shield

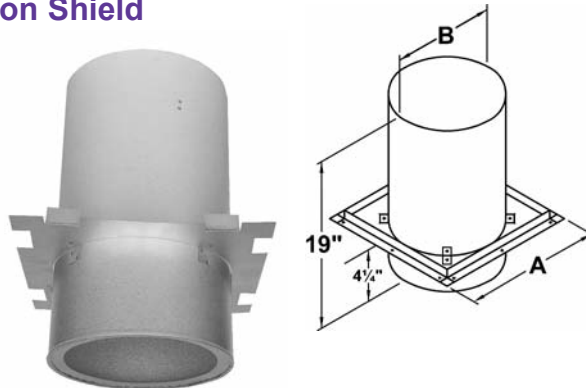
- The attic insulation shield must be installed where the chimney enters the attic space.
- Designed to keep insulation away from the chimney and to maintain the mandatory 2-inch clearance to combustibles.
- Must be used when the chimney penetrates an unoccupied attic.
- Also acts as a firestop.
- Not to be used for enclosed chimneys passing through attic. Instead, use firestop radiation shield and rafter radiation shield.



Model Number	Size	Dimensions (inches)		
		A	B	C
5TLCIS	5"	11	7 ¹ / ₈	13
6TLCIS	6"	12	8 ¹ / ₈	14
7TLCIS	7"	13	9 ¹ / ₈	15
8TLCIS	8"	14	10 ¹ / ₈	16
10TLCIS	10"	16	12 ¹ / ₈	18
12TLCIS	12"	18	14 ¹ / ₈	20
14TLCIS	14"	20	16 ¹ / ₈	22

Firestop Radiation Shield

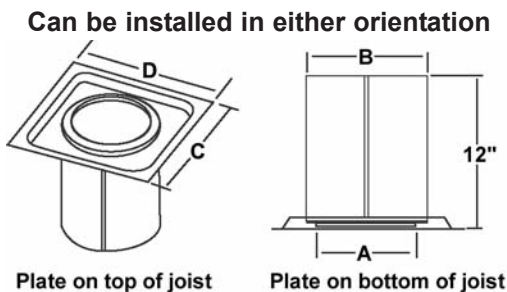
- Required where an enclosed chimney passes from a lower living space into an upper living space.
- Maintains the mandatory 2-inch clearance to combustibles.



Model Number	Size	Dimensions (inches)	
		A	B
5TLCFRS	5"	13	9
6TLCFRS	6"	14	10
7TLCFRS	7"	15	11
8TLCFRS	8"	16	12

Firestop/Joist Shield

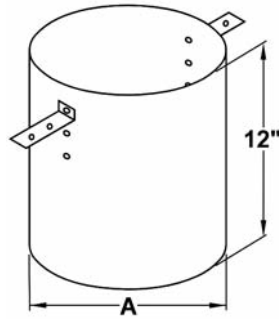
- Used in floor/ceiling penetrations, other than those that include a ceiling support.
- Not required when passing through roof.



Model Number	Size	Dimensions (inches)			
		A	B	C	D
10TLCFRS	10"	12 ¹ / ₈	14	18	16
12TLCFRS	12"	14 ¹ / ₈	16	20	18
14TLCFRS	14"	16 ¹ / ₈	18	22	20

Rafter Radiation Shield

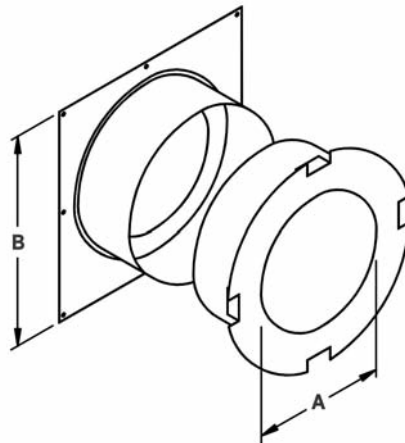
- The rafter radiation shield must be installed immediately below the roof flashing, inside any enclosure.



Model Number	Size	Dimension (inches)	
		A	
5TLCRRS	5"	9	
6TLCRRS	6"	10	
7TLCRRS	7"	11	
8TLCRRS	8"	12	

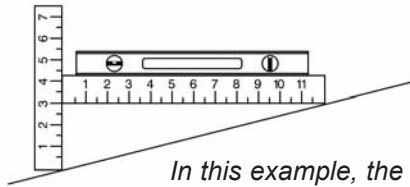
Black Wall Thimble

- Used in a wall support installation.
- Radiation shield is included with spacers, which maintain the mandatory 2-inch clearance to combustibles.
- Attractive matte black finishing trim plate is included.
- Adjustable wall thickness from 4½" to 8¾" for 5" to 8" sizes and from 6" to 11" for 10" to 14" sizes.



Model Number	Size	Dimension (inches)	
		A	B
5TLCWT	5"	7 ¹ / ₈	16
6TLCWT	6"	8 ¹ / ₈	16
7TLCWT	7"	9 ¹ / ₈	16
8TLCWT	8"	10 ¹ / ₈	16
10TLCWT	10"	12 ¹ / ₈	18
12TLCWT	12"	14 ¹ / ₈	20
14TLCWT	14"	16 ¹ / ₈	24

Roof Flashing Selection Chart

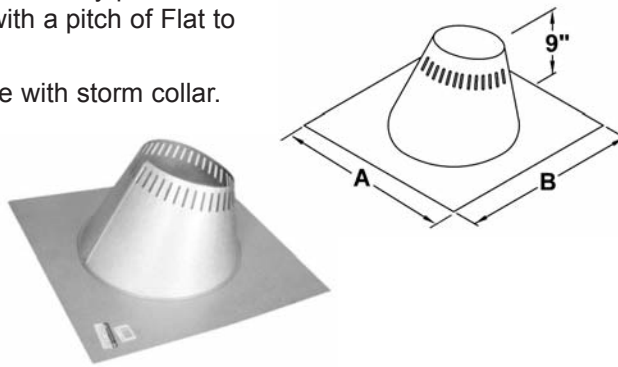


In this example, the pitch is 3/12.

To determine what roof flashing you'll require, you must determine the pitch of the roof. To determine the pitch, you'll need two rulers and a level. Measure the number of inches from the end of the level down to the roof.

Adjustable Flashing Assembly - Flat to 6/12 Pitch

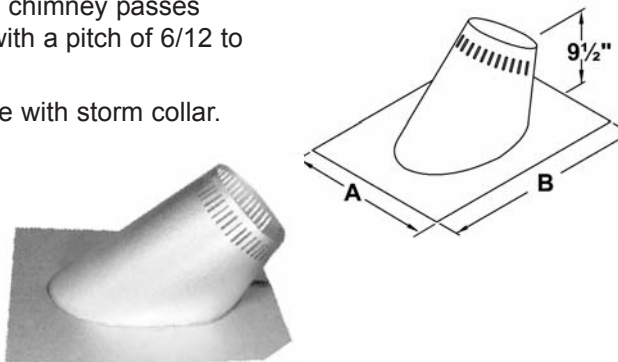
- Used where the chimney passes through a roof with a pitch of Flat to 6/12.
- Comes complete with storm collar.
- All seams are sealed with silicone sealant.
- Galvalume construction.



Model Number	Size	Dimensions (inches)	
		A	B
5TLCF6	5"	24	24
6TLCF6	6"	24	24
7TLCF6	7"	24	24
8TLCF6	8"	27 ¹ / ₂	27 ¹ / ₂
10TLCF6	10"	27	31 ⁷ / ₈
12TLCF6	12"	36	36 ³ / ₈
14TLCF6	14"	36	36 ³ / ₈

Adjustable Flashing Assembly - 6/12 to 12/12 Pitch

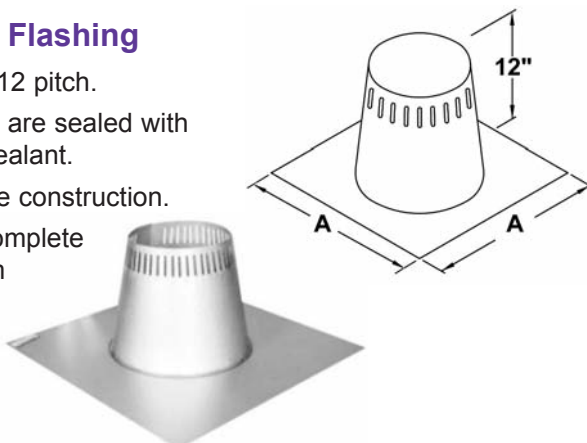
- Used where the chimney passes through a roof with a pitch of 6/12 to 12/12.
- Comes complete with storm collar.
- All seams are sealed with silicone sealant.
- Galvalume construction.



Model Number	Size	Dimensions (inches)	
		A	B
5TLCF12	5"	21 ¹ / ₂	30
6TLCF12	6"	21 ¹ / ₂	30
7TLCF12	7"	21 ¹ / ₂	30
8TLCF12	8"	21 ¹ / ₂	30
10TLCF12	10"	36	37 ¹ / ₂
12TLCF12	12"	36	40 ¹ / ₂
14TLCF12	14"	36	43 ¹ / ₂

Tall Cone Flashing

- 0/12 to 2/12 pitch.
- All seams are sealed with silicone sealant.
- Galvalume construction.
- Comes complete with storm collar.



Model Number	Size	Dimensions (inches)
		A
5TLCFF	5"	24 x 24
6TLCFF	6"	24 x 24
7TLCFF	7"	24 x 24
8TLCFF	8"	24 x 24
10TLCFF	10"	30 x 30
12TLCFF	12"	32 x 32
14TLCFF	14"	34 x 34

Flashings and Storm Collars

Rubber Boot Flashing Kit

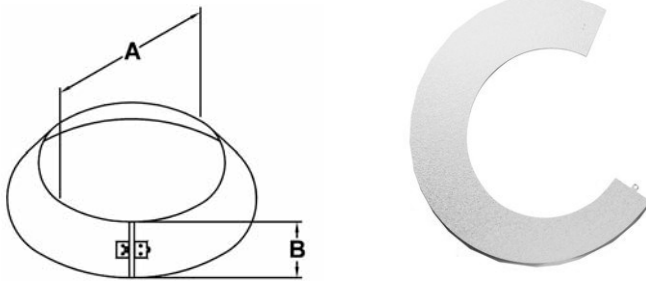
- This kit fits 5", 6", 7" and 8" chimneys.
- Required where the chimney passes through a corrugated roof.
- Rubber boot flashing fits roof pitches up to 12/12.
- Kit includes: Special Storm Collar
Rubber Boot
Spacer Kit
Special Boot-Mounting Screws
- UL-listed.



Model Number	Size
TLCRBF	5" - 8"

Storm Collar

- Used in conjunction with roof flashing to keep precipitation out.



Model Number	Size	Dimensions (inches)	
		A	B
5TLCSC	5"	7	4 ¹ / ₂
6TLCSC	6"	8	4 ¹ / ₂
7TLCSC	7"	9	4 ¹ / ₂
8TLCSC	8"	10	4 ¹ / ₂
10TLCSC	10"	12	5 ¹ / ₂
12TLCSC	12"	14	5 ¹ / ₂
14TLCSC	14"	16	5 ¹ / ₂

Silicone Sealant for Storm Collar

- Used to seal storm collar to chimney length above cone of flashing.
- 3-ounce tube.

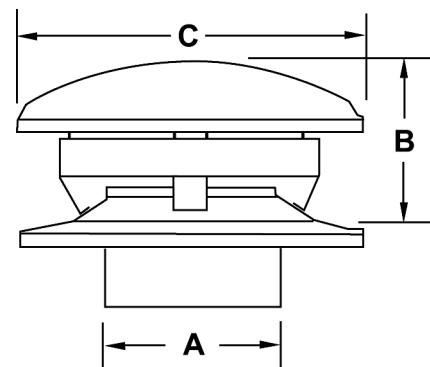
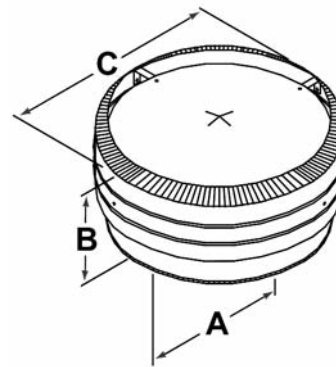
Model Number
TLCSS



Deluxe Rain Caps

- Advanced design, premium quality stainless steel.
- Provides protection against the elements.
- Twist-lock connection for secure installation (10" to 14" has a slip-in connection).

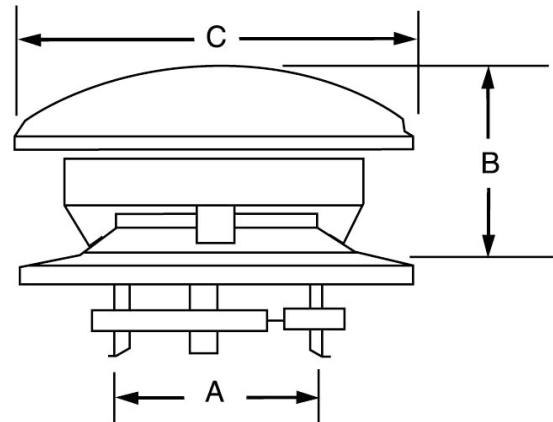
Model Number	Size	Dimensions (inches)		
		A	B	C
5TLCC	5"	7	7 ¹ / ₂	11 ¹ / ₄
6TLCC	6"	8	7 ¹ / ₂	11 ¹ / ₄
7TLCC	7"	9	7 ¹ / ₂	13 ¹ / ₄
8TLCC	8"	10	8	14 ¹ / ₄
10TLCC	10"	10	8 ¹ / ₂	20
12TLCC	12"	12	10	24
14TLCC	14"	14	11 ¹ / ₂	28



Round Top Rain Cap

- Classic round dome
- Superior protection against moisture
- Easy to install/remove with universal band

Model Number	Size	Dimensions (inches)		
		A	B	C
5TLCCD	5"	7	5	10
6TLCCD	6"	8	5 1/2	12
7TLCCD	7"	9	6 1/4	14
8TLCCD	8"	10	7	16



Spark Arresters

- For use with 6" to 14" caps.



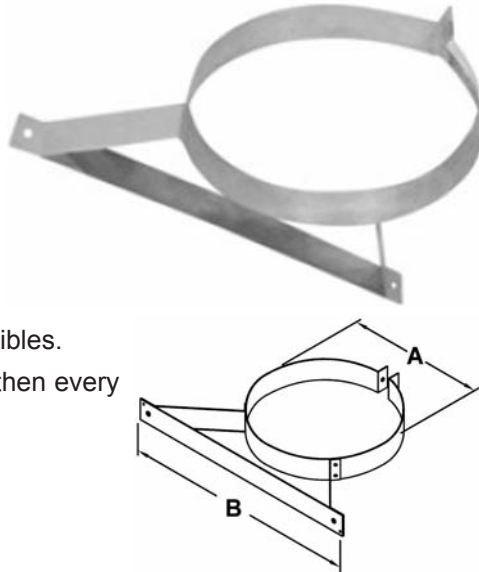
Stainless Steel

Model Number	Size
6TLCSA	6"
7TLCSA	7"
8TLCSA	8"
10TLCSA	10"
12TLCSA	12"
14TLCSA	14"

Model Number	Size
5TLCSAD	5"
6TLCSAD	6"
7TLCSAD	7"
8TLCSAD	8"

Wall Band

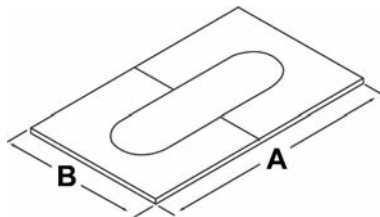
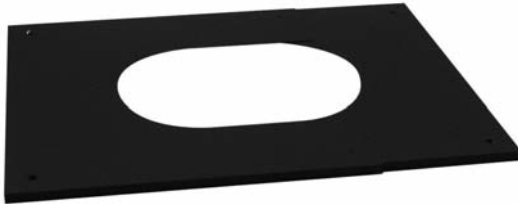
- Stainless steel construction.
- Provides lateral support for the chimney when installed adjacent to a wall.
- Maintains the mandatory 2-inch clearance to combustibles.
- Used above the tee, then every 8 feet thereafter.



Model Number	Size	Dimensions (inches)	
		A	B
5TLCWB	5"	7	17
6TLCWB	6"	8	17
7TLCWB	7"	9	17
8TLCWB	8"	10	17
10TLCWB	10"	12	17
12TLCWB	12"	14	17
14TLCWB	14"	16	17

Adjustable Ceiling Plate

- Matte black finish.
- Adjusts to multiple roof pitches.
- Covers 2-inch space around chimney for attractive finish.



Flat to 6/12 Pitch

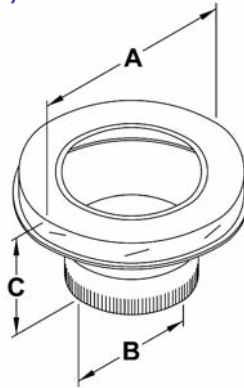
Model Number	Size	Dimensions (inches)	
		A	B
5TLCACP	5"	18 to 29	15 ¹ / ₂
6TLCACP	6"	19 to 30	16 ¹ / ₂
7TLCACP	7"	20 to 31	17 ¹ / ₂
8TLCACP	8"	21 to 33	18 ¹ / ₂
10TLCACP	10"	23 to 37	20 ¹ / ₂
12TLCACP	12"	25 to 41	22 ¹ / ₂
14TLCACP	14"	27 to 45	24 ¹ / ₂

6/12 to 12/12 Pitch

Model Number	Size	Dimensions (inches)	
		A	B
5TLCACPT	5"	18 to 29	15 ¹ / ₂
6TLCACPT	6"	19 to 30	16 ¹ / ₂
7TLCACPT	7"	20 to 31	17 ¹ / ₂
8TLCACPT	8"	21 to 33	18 ¹ / ₂
10TLCACPT	10"	23 to 37	20 ¹ / ₂
12TLCACPT	12"	25 to 41	22 ¹ / ₂
14TLCACPT	14"	27 to 45	24 ¹ / ₂

Stovepipe Adapter (stainless steel)

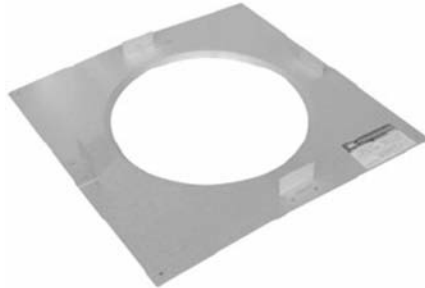
- For quick and easy transition from black stovepipe to factory-built chimney.
- Twist-lock for easy connection.
- 5" to 8" is black.



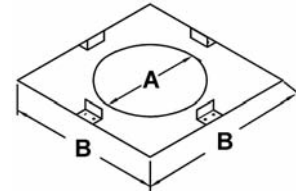
Model Number	Size	Dimensions (inches)	
		A	B
5TLCSPA	5"	7	5
6TLCSPA	6"	8	6
7TLCSPA	7"	9	7
8TLCSPA	8"	10	8

Soffit Plate

- Used where the chimney passes through a soffit to provide a finished appearance.
- Maintains the mandatory 2-inch clearance to combustibles.
- Does not act as a firestop.



Model Number	Size	Dimensions (inches)	
		A	B
5TLCSP	5"	7 ¹ / ₈	13
6TLCSP	6"	8 ¹ / ₈	14
7TLCSP	7"	9 ¹ / ₈	15
8TLCSP	8"	10 ¹ / ₈	16

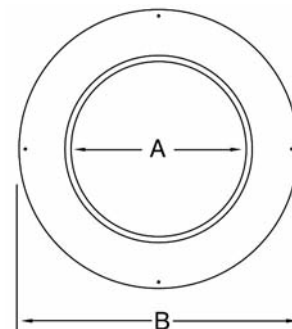


Matte Black Trim Collar

- Used on wall support installations when passing through a noncombustible wall.
- Matte black finish for an enhanced hand-crafted appearance.

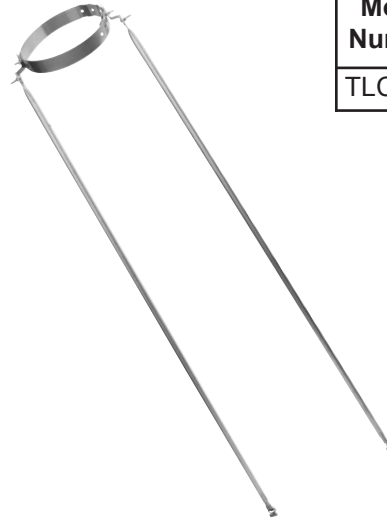


Model Number	Size	Dimensions (inches)	
		A	B
5TLCTC	5"	7 ¹ / ₈	16
6TLCTC	6"	8 ¹ / ₈	16
7TLCTC	7"	9 ¹ / ₈	16
8TLCTC	8"	10 ¹ / ₈	16

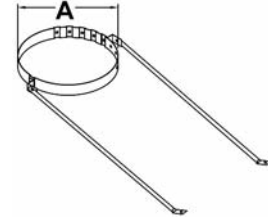


Adjustable Universal Roof Guy Kit

- Used when more than 5 feet of chimney extends from the roof.
- The kit includes two rods and an adjustable band.
- Each rod extends to 4 to 6 feet.
- The adjustable band will fit 5" to 14" size chimney.

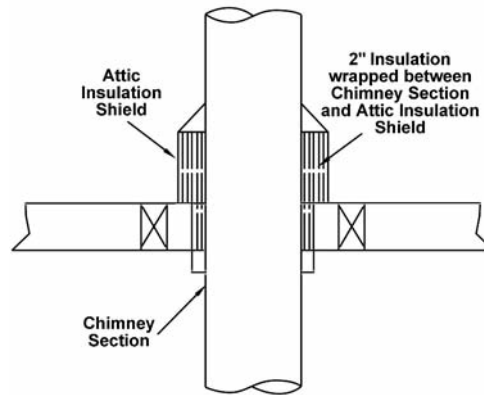


Model Number	Dimensions (inches)	
	A	
TLCRGK	7 to 16	



Shielding Insulation Wrap

- Insulation for use with Attic Insulation Shield, Wall Thimble and Cathedral Ceiling Support Box.
- Protects building materials against radiant heat from the chimney.
- Helps maintain temperatures within the chimney system and within the housing envelope to prevent condensation on exterior.
- UL-listed specifically for TLC chimney.

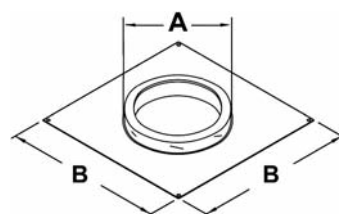


Model Number	Roll Size
TLCISI	12" x 48" x 2"



Anchor Plate

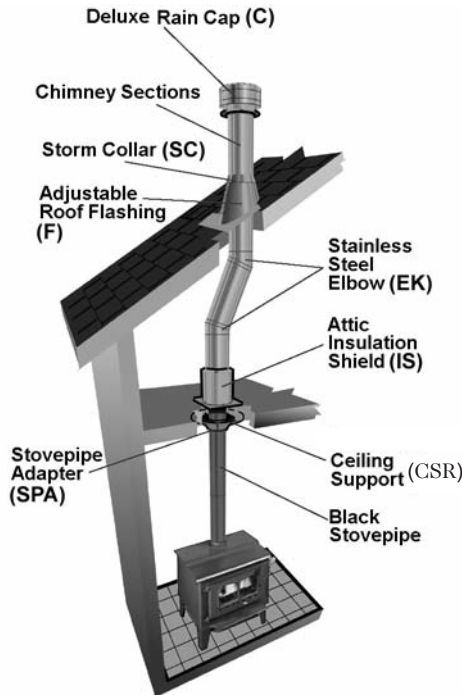
- To be used with specifically listed zero-clearance fireplaces for direct connection of all-fuel chimney.
- 5" to 8" sizes are 14-gauge galvanized base plate, and 10" to 14" sizes are 10-gauge galvanized base plate.



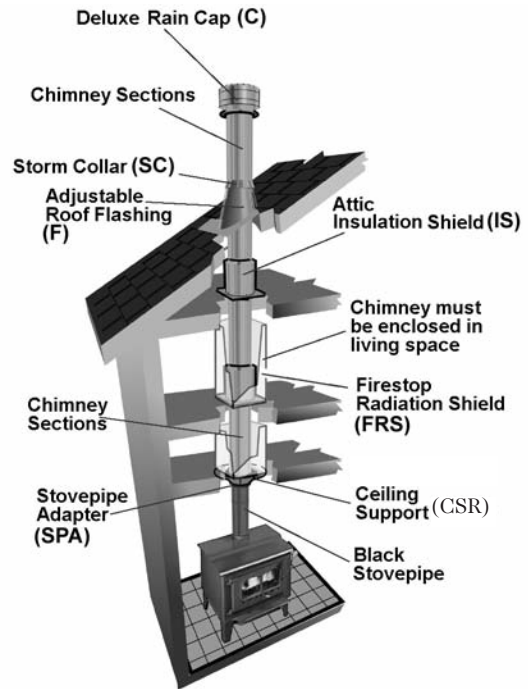
Model Number	Size	Dimensions (inches)	
		A	B
5TLCAP	5"	7	11 ⁵ / ₈
6TLCAP	6"	8	11 ⁵ / ₈
7TLCAP	7"	9	11 ⁵ / ₈
8TLCAP	8"	10	11 ⁵ / ₈
10TLCAP	10"	12	13 ¹ / ₄
12TLCAP	12"	14	15 ¹ / ₄
14TLCAP	14"	16	17 ¹ / ₄

Decorators Ceiling Support Installations

One-Story Installation

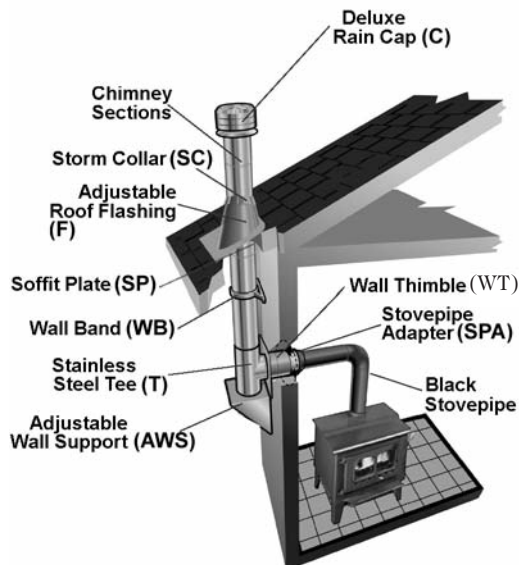


Multi-Story Installation



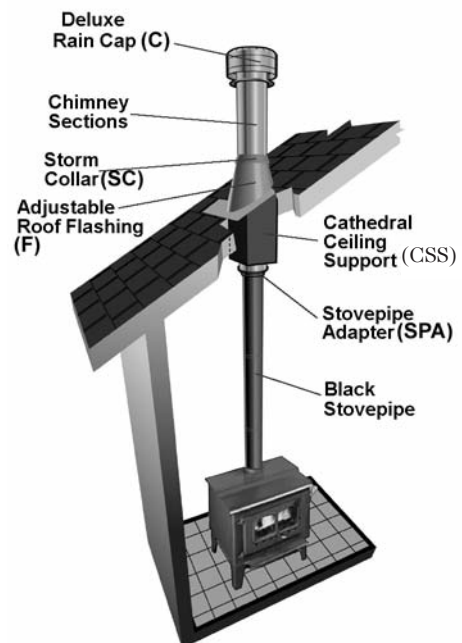
Wall Support Installation

Through a Soffit



Cathedral Support Installation

With Cathedral Ceiling Support Box



Limited Lifetime Warranty



LIMITED LIFETIME WARRANTY

Hart & Cooley, Inc. (“we,” “us,” “our”) warrants chimney and venting products to be free from defects in material and workmanship for as long as the original consumer owns the system. For products installed after January 15, 2007, for a period of ten (10) years from original installation, we will provide replacement product with a similar or like quality of available product, **free of charge** excluding any installation costs. From the eleventh (11th) through fifteenth (15th) years, we will provide replacement product to the original consumer at a cost of 75% off the published retail price in effect on the date the claim is received, excluding any installation costs. At expiration of the fifteen- (15) year term, we will provide replacement product to the original consumer at a cost of 50% off the published retail price in effect on the date the claim is received, excluding any installation costs.

LIMITATIONS:

- Products must be installed for their intended purpose.
- Products must be connected to residential appliance listed with an accredited testing laboratory.

WARNING: FAILURE TO INSTALL PRODUCTS ACCORDING TO THE MANUFACTURER’S INSTRUCTIONS WILL VOID ALL APPLICABLE WARRANTIES AND MAY RESULT IN FIRE, CARBON MONOXIDE POISONING OR DEATH. SEE OUR PRODUCT INSTALLATION INSTRUCTIONS FOR COMPLETE INSTRUCTIONS.

WARRANTY COVERAGE:

All lengths, tees and elbows, and components are applicable to warranty coverage.

THIS LIMITED WARRANTY DOES NOT COVER:

- (a) any nonstainless base tee unit mounted or connected to an insulated chimney system;
- (b) costs (labor or otherwise**) associated with either removing a previously installed product, installing a replacement product, transportation or return of a product, or transportation of replacement product;
- (c) damage to the finish of products caused by the use of improper solvents/chemicals or improper cleaning methods;
- (d) damage resulting from failure to reasonably clean, care for, or maintain products in accordance with our installation instructions/recommendations;
- (e) damage (to products, appliances or structure) based on or resulting from improper installation or repair, misuse or abuse (including, but not limited to, excessive or improper operating condition), or alteration or adjustment other than in conformity with our installation instructions and specifications, whether performed by a contractor, service company, technician, or yourself;
- (f) any products that have been moved from their original installation site.
- (g) damage caused by burning driftwood, garbage, or any other prohibitive material in the appliance served by the chimney
- (h) damage that results from accidents such as fire, flood, high winds, “acts of God,” or any other contingency beyond our control.

****Due to the wide variance in installation practices and other conditions beyond our control, we do not guarantee or in any way warrant the installation of chimney and venting products.**

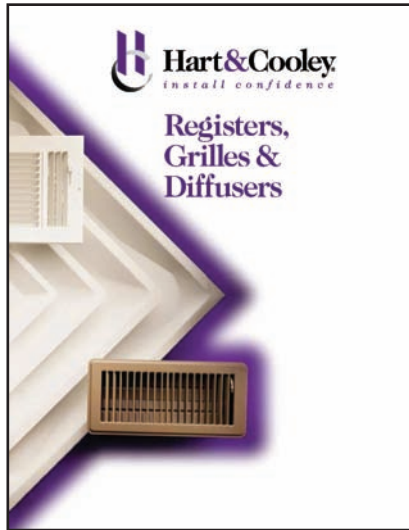
CLAIM PROCEDURE:

If you believe that a product is defective, notify us in writing at the following location.

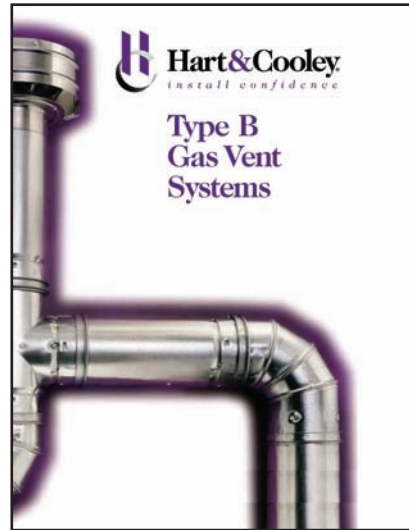
Hart & Cooley, Inc.
Attn: Warranty Claims
5030 Corporate Exchange Blvd. SE
Grand Rapids, MI 49512
800.433.6341 *p*
800.223.8461 *f*
www.hartandcooley.com

Notification should include a description of the product, model and serial number (if applicable), and a description of the product defect. Upon receipt of a written claim under this limited warranty and evidence of the date of purchase or installation, at our option and in our sole discretion, we will provide replacement product with similar or like quality of available product excluding any installation costs. We reserve the right to inspect or investigate any warranty claims prior to determining whether to provide replacement product. If, as determined by us that repair or replacement of the product is not commercially practicable or cannot be completed in a timely manner, we may refund the prorated purchase price paid for the product upon verification by providing a copy of your invoice or receipt of bill of sale.

Check out other quality Hart & Cooley products...



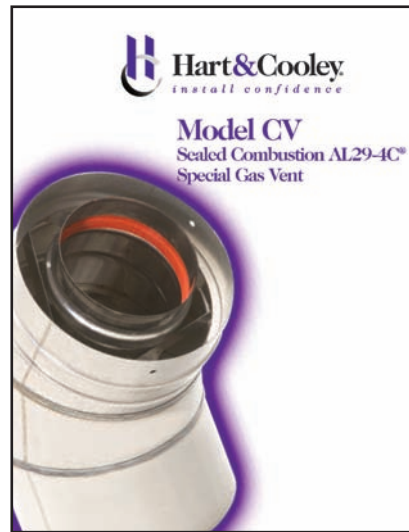
Form No. 010050



Form No. 010051



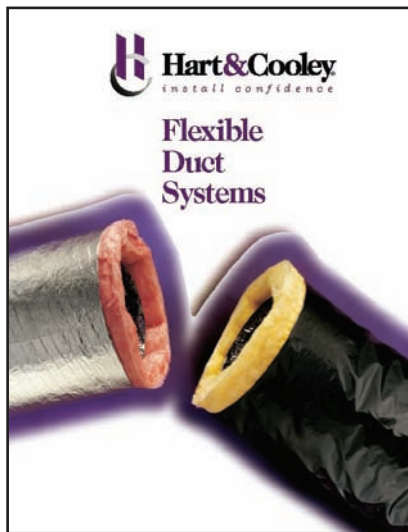
Form No. 851369



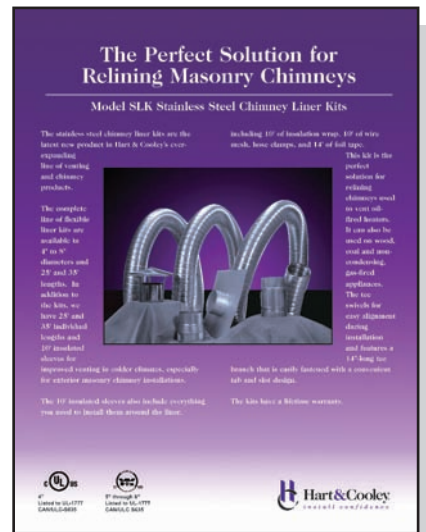
Form No. 851367



Form No. 851095



Form No. 010054



Form No. 851431

To order any of the above catalogs, please contact
Customer Service toll-free at 800.433.6341.



Hart & Cooley
install confidence

Hart & Cooley, Inc. 800.433.6341 *p*
5030 Corporate Exchange Blvd. SE 616.656.8200 *p*
Grand Rapids, MI 49512 800.223.8461 *f*
info@hartcool.com 616.656.6399 *f*
www.hartandcooley.com

Offered by:

www.hartandcooley.com

For submittal information and other literature visit our Website.

