



Hart & Cooley[®]
install confidence

**Light
Commercial
Grilles,
Registers &
Diffusers**

Edition 5

See
Inside
Front
Cover For
What's New...

LIGHT COMMERCIAL

Product Information Engineering Data

LOUVERS

DL	Drum Louver	.48	.106-107
BV	Brick/Block Vents	.49	
1530	Stationary Louvers	.50	.108
1545	Stationary Louvers	.50	.108
245	Stationary Louvers	.51	.108
445	Stationary Louvers	.51	.108
4ABC	Adjustable Louver	.51	.108

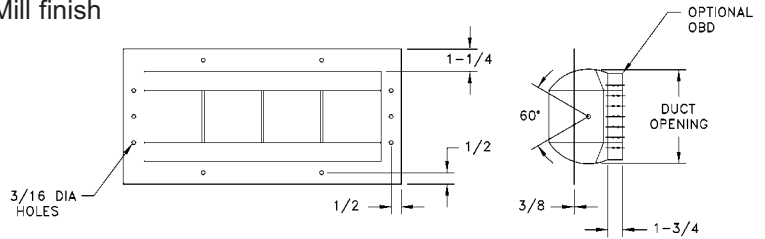


DL Drum Louver

- All-aluminum construction
- Horizontal and vertical air stream control
- Galvanized opposed-blade damper (optional)
- Adjustable drum and vane design
- White or Mill finish

Drum Louver Available Sizes	
6" x 12", 6" x 18", 6" x 24", 6" x 30", 6" x 48", 6" x 60"	
10" x 20", 10" x 25", 10" x 30", 10" x 35", 10" x 40", 10" x 50"	
12" x 30", 12" x 40", 12" x 50", 12" x 70"	
15" x 30", 15" x 50", 15" x 60", 15" x 70"	

Order H x W



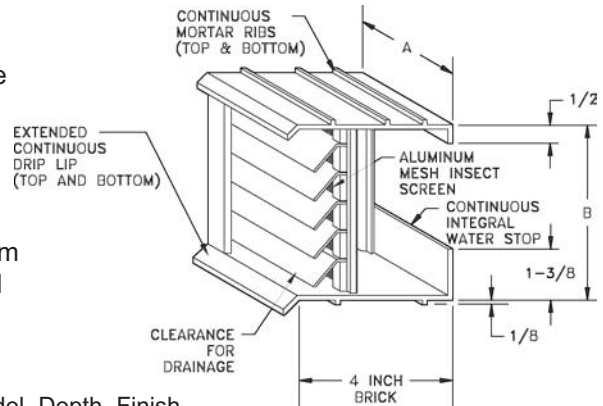
Duct Opening Sizing		
Listed Height Size	Duct Opening Height	Duct Opening Width
6	Listed Size Plus $\frac{5}{8}$	Listed Size Plus $1\frac{1}{8}$
10	Listed Size Plus $\frac{3}{8}$	Listed Size Plus $1\frac{1}{8}$
12	Listed Size Plus $\frac{3}{8}$	Listed Size Plus $1\frac{1}{8}$
15	Listed Size Plus $\frac{3}{8}$	Listed Size Plus $1\frac{1}{8}$

Other sizes not available.



BV Brick/Block Vent

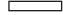











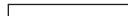


- Extruded aluminum construction
- Standard masonry size
- Maximum water protection
- 6063-T5 extruded aluminum alloy
- 18 x 16 mesh aluminum insect screen standard
- 4" standard depth
- Satin Anodized finish



Note: To order specify Model, Depth, Finish

Example: BV168 4 SA

DIMENSIONS/FREE AREA

	BV Model	Masonry Opening Size	A Width Inches	B Height Inches	Free Area Sq. Ft.
STANDARD BRICK	802	ONE BRICK 	8	2 1/2	.01
	805	TWO BRICK 	8	4 3/4	.06
	162	TWO BRICK 	16 3/8	2 1/2	.02
	808	THREE BRICK 	8	7 1/2	.13
	242	THREE BRICK 	24 3/4	2 1/2	.04
	165	FOUR BRICK 	16 3/8	4 3/4	.14
	168	SIX BRICK 	16 3/8	7 1/2	.30
	245	SIX BRICK 	24 3/4	4 3/4	.23
	248	NINE BRICK 	24 3/4	7 1/2	.50
JUMBO BRICK	122	ONE JUMBO 	11 5/8	2 1/2	.02
	125	TWO JUMBO 	11 5/8	4 3/4	.10
	128	THREE JUMBO 	11 5/8	7 1/2	.21
MODULAR BLOCK	158	STANDARD BLOCK 	15 1/2	7 1/2	.30
	318	TWO STANDARD BLOCK 	31 3/8	7 1/2	.66
	168	JUMBO BLOCK 	16 3/8	7 1/2	.30

Notes:

1. Brick/Block vent depths are identical with or without the optional opposed-blade damper.
2. Contact factory regarding applications requiring custom size widths and/or heights.
3. Masonry opening sizes listed are representative of the blocks or bricks shown. Field dimensions must be verified to guarantee fit.



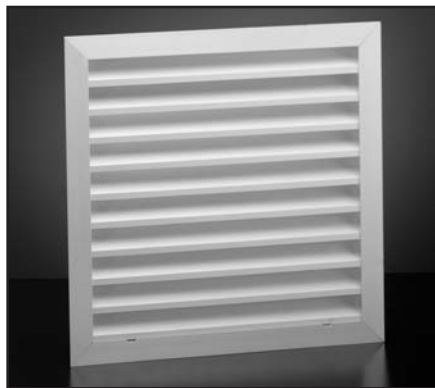
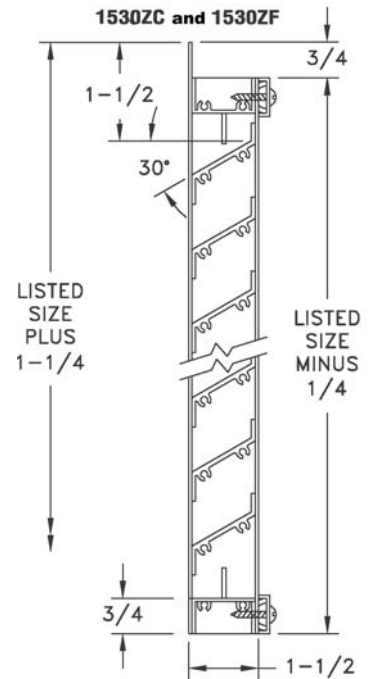
1530ZC Shown

1530ZC Stationary Louver

- Extruded aluminum construction
- Fixed Z blade louver
- Blades at 30-degree angle
- 1 1/2" louver depth
- Channel frame
- Available with bird screen or insect screen
- Mill finish standard

1530ZF Stationary Louver

- Extruded aluminum construction
- Fixed Z blade louver
- Blades at 30-degree angle
- 1 1/2" louver depth
- Flange frame
- Available with bird screen or insect screen
- Mill finish standard



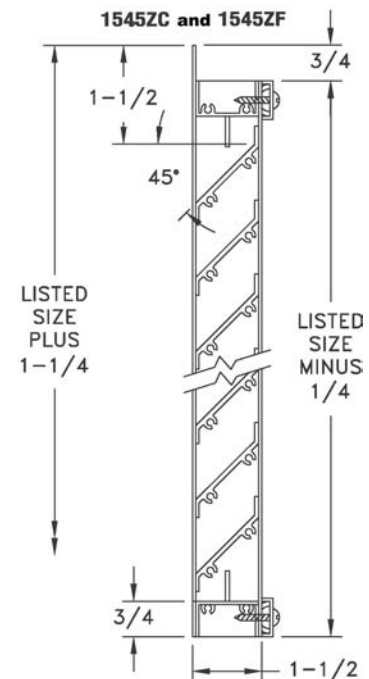
1545ZF Shown

1545ZC Stationary Louver

- Extruded aluminum construction
- Fixed Z blade louver
- Blades at 45-degree angle
- 1 1/2" louver depth
- Channel frame
- Available with bird screen or insect screen
- Mill finish standard

1545ZF Stationary Louver

- Extruded aluminum construction
- Fixed Z blade louver
- Blades at 45-degree angle
- 1 1/2" louver depth
- Flange frame
- Available with bird screen or insect screen
- Mill finish standard





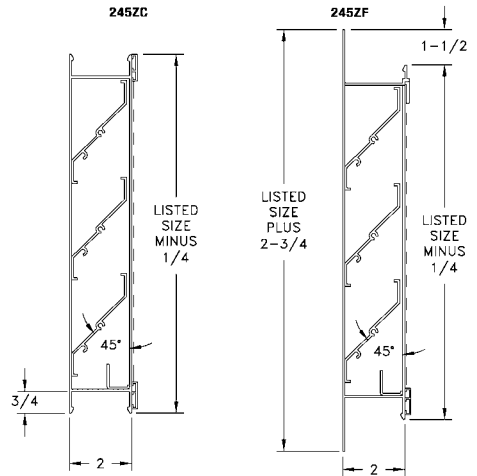
245ZF Shown

245ZC Stationary Louver

- Extruded aluminum construction
- Fixed-blade louver
- Blades at 45-degree angle
- 2" louver depth
- Channel frame
- Available with bird screen or insect screen
- Mill finish standard

245ZF Stationary Louver

- Extruded aluminum construction
- Fixed-blade louver
- Blades at 45-degree angle
- 2" louver depth
- Flange frame
- Available with bird screen or insect screen
- Mill finish standard



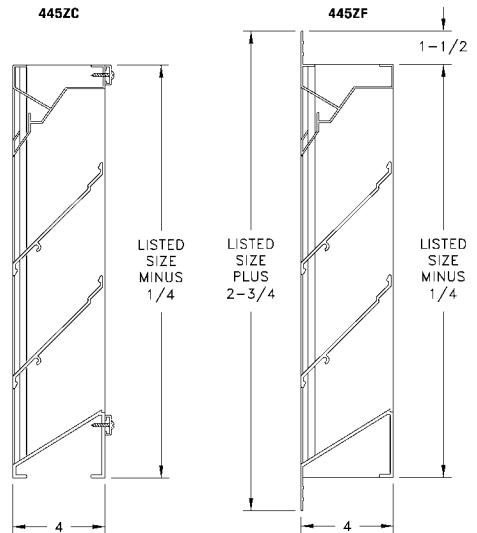
445ZF Shown

445ZC Stationary Louver

- Extruded aluminum construction
- Fixed-blade louver
- Blades at 45-degree angle
- 4" louver depth
- Channel frame
- Available with bird screen or insect screen
- Mill finish standard

445ZF Stationary Louver

- Extruded aluminum construction
- Fixed-blade louver
- Blades at 45-degree angle
- 4" louver depth
- Flange frame
- Available with bird screen or insect screen
- Mill finish standard



4ABC Adjustable Louver

- Extruded aluminum construction
- Adjustable baffle blades on 4" centers
- 4" louver depth
- Channel frame
- Max. one-piece size 60" W x 72" H
- Mill finish standard
- Lever activated, manually
- Blades open to 45°; closes fully

