

# Model SFC – Single Wall Gas Vent Connector Installation Instructions

This Single Wall Gas Connector may be used as a connector for listed gas appliances equipped with a draft hood or other appliances listed for use with Type B Gas Vent. This includes furnaces, boilers and water heaters. These gas appliances may be connected singly, or in multiples, as long as the connectors are properly sized using the appliance manufacturer's instructions and the National Fuel Gas Code NFPA 54.

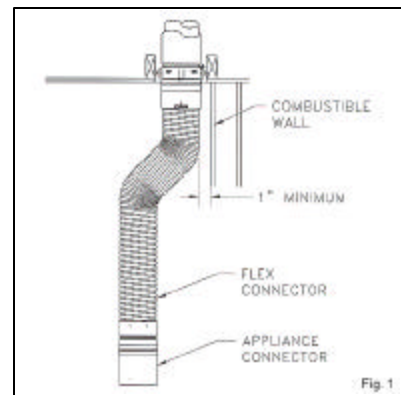
**WARNING** - This product is not Type B Gas Vent and should not be used in applications where Type B Gas Vent is required. Do not totally enclose. Do not pass through walls, floors, ceilings or install in attics or crawl spaces.

---

## General Installation Guidelines

---

1. The connector shall be sized according to the gas appliance instructions and the National Fuel Gas Code NFPA 54. An alternate sizing method allows the effective area of the connector to be not less than the area of the draft hood or outlet collar.
2. The connector should be generally installed as follows:
  - a. In as short and straight run as possible with no unnecessary bends.
  - b. Without any dips or sags.
  - c. Slope upwards at least 1/4" per foot.
  - d. No bends greater than 90°.
3. The gas vent connector does not require use of sheet metal screws. The only use of screws is at the connection to the appliance draft hood or outlet collar.
4. The gas vent connector is UL listed for installations where single wall gas vent connectors are acceptable except, the minimum clearance to combustibles may be reduced from six inches to one inch.
5. Do not cut or modify the flexible lengths of connector pipe. The lengths will compress approximately 4" per foot. When the flexible pipe length is too long shorten by compressing. Note: Compression will not affect the venting performance but will reduce the flexibility of the connector.
6. Flexible material is a special alloy, .012 thick aluminum. Do not substitute any alternate, lightweight aluminum flex material.
7. When making a bend in a connector, do not bend over sharp edges. Make the bend as smooth as possible.
8. This gas vent connector system is tested and listed by UL for one inch (1") clearance to combustibles in an unenclosed installation. Vent pipe hangers should be used at each end of a flexible length that is not attached to a fixed point, i.e. an appliance outlet.




---

## Single Appliance Connectors

---

1. Make sure the Type B gas vent is securely mounted and that it protrudes into the appliance room. (See Fig. 1). The connector must not penetrate any combustible ceiling or wall.
2. Connect the flexible gas connector section (that most closely matches the correct length) to the bottom of the B vent protruding into the room. (See Fig. 2.)

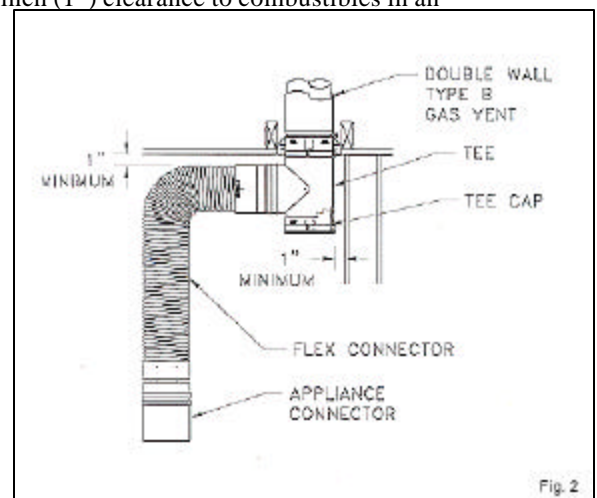
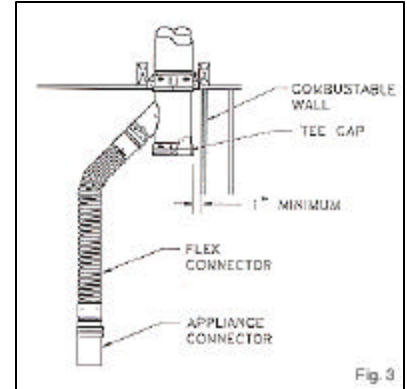


Fig. 2

3. Alternate ways of connecting to the Type B gas vent involve the use of a tee and a tee cap (See fig. 3), or a wye and a tee cap (see Fig. 4).
4. Once the connector is locked in place bend the connector to the general location of the appliance. **Note:** If the connector is too long **do not** cut the connector, compress the connector to the right length. (Fig. 1.)
5. Bend the flex connector down to the appliance outlet and connect to the appliance. The connector may be directly connected to the appliance, but an appliance adapter is recommended. Screw the connector to the draft hood or collar and connect flexible connector to the appliance adapter. (See Fig. 5.)
6. The vent connector system is now completely secured and aligned with the least possible resistance.




---

### Multiple Appliance Connectors

---

1. If more than one appliance is connected to a common vent a wide selection of tees and wyes may be used. (See Fig. 6, 7.)
2. As in the single connector system, the wye or tee may be connected to almost any brand of B vent with the use of the universal adapter.
3. The remaining steps are exactly the same as those for the single appliance connector system.

