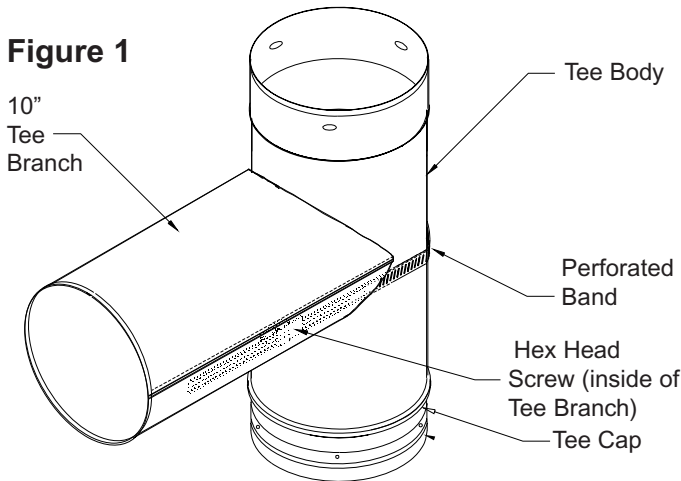


# Model SLK

## STAINLESS STEEL LINING SYSTEM INSTALLATION INSTRUCTIONS SUPPLEMENT TEE with Worm Drive Clamp - 6 AND 7 INCHES

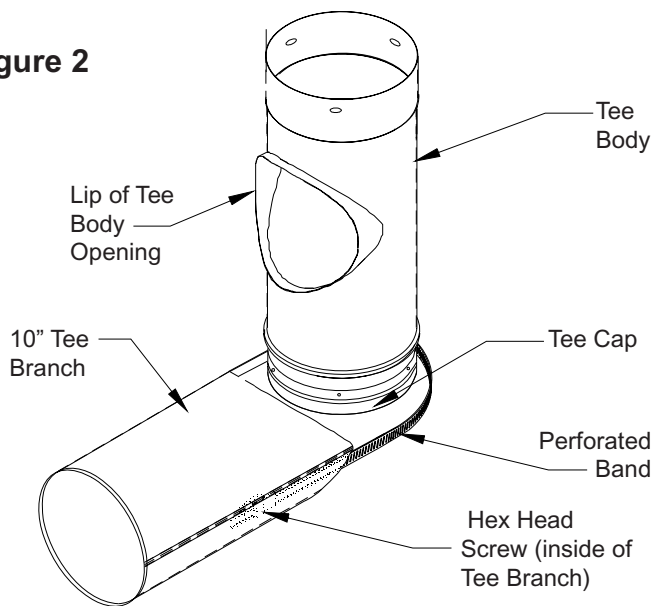
The SLK Tee is shipped pre-assembled. The Tee Branch is 10 inches in length and secured to the Tee Body with a perforated band wrapped around the outside of the Tee Body (Figure 1). A hex head screw found inside of the Tee Branch allows loosening/tightening of the band.

**Figure 1**



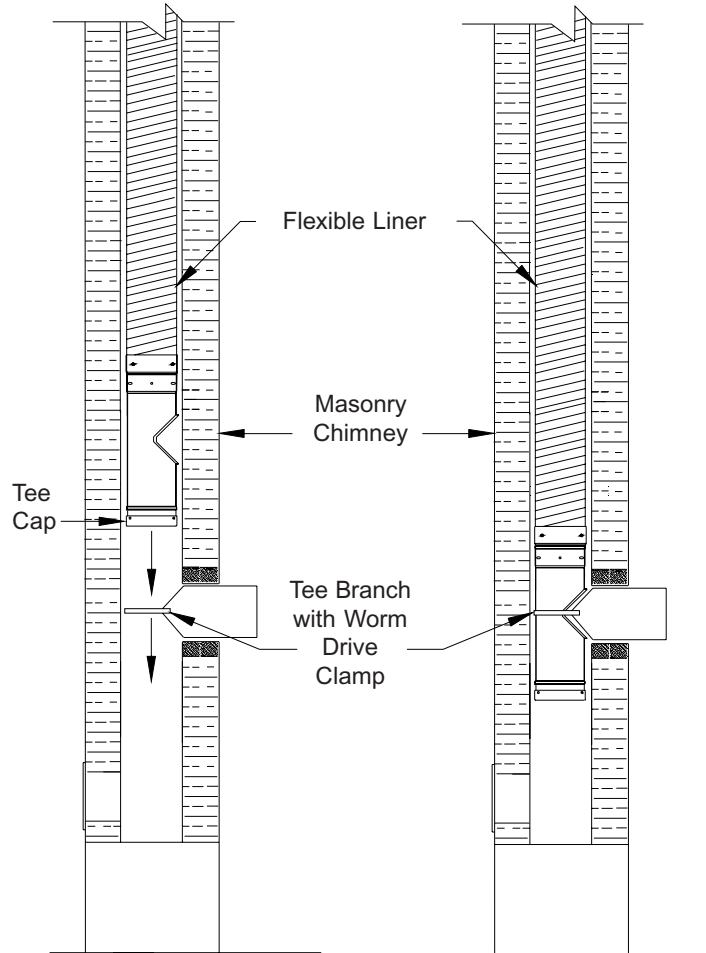
The Tee Branch is removable to facilitate lowering of the liner into the chimney. If the opening in the masonry wall is not large enough to accommodate the Tee Branch, remove it by loosening the band with the hex head screw (Figure 2).

**Figure 2**



The Tee Branch must be long enough to protrude into the room at least 2" (50mm) so that a connector pipe can be attached to it. This can be accomplished by connecting a rigid stainless steel Length to the Tee Branch.

Pre-assemble the Tee Body before attaching it to the liner. This includes any required Length below the Tee and the Tee Cap.



**Figure 3a**  
Lower Liner  
Through Band

**Figure 3b**  
Secure Tee Branch  
to Tee Body

Lower the liner into the chimney from the top until the Tee reaches the thimble area. With the band of the Tee Branch fully extended, push the prepared Tee Branch through the opening of the chimney (see Figure 3a).

Continue lowering the liner and feed it through the extended band of the Tee Branch. Rotate the liner until the Tee Branch and the opening of the Tee Body are aligned. Ensure the Branch overlaps the lip on the Tee Body opening. Tighten the worm drive clamp securely with the hex head screw (Figure 3b).

Refer to the main installation instructions for other installation details on the SLK.



Hart & Cooley, Inc. 616.656.8200 p  
5030 Corporate Exchange Blvd. SE 616.656.6399 f  
Grand Rapids, MI 49512  
info@hartcool.com  
www.hartandcooley.com

Form No. 805171

05/14/2009

Printed in U.S.A.

©2009 Hart & Cooley, Inc. All rights reserved