

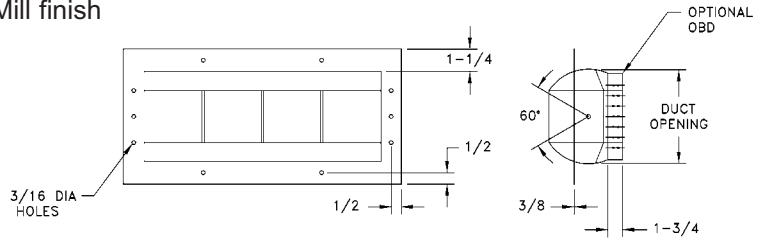


DL Drum Louver

- All-aluminum construction
- Horizontal and vertical air stream control
- Galvanized opposed-blade damper (optional)
- Adjustable drum and vane design
- White or Mill finish

Drum Louver Available Sizes	
6" x 12", 6" x 18", 6" x 24", 6" x 30", 6" x 48", 6" x 60"	
10" x 20", 10" x 25", 10" x 30", 10" x 35", 10" x 40", 10" x 50"	
12" x 30", 12" x 40", 12" x 50", 12" x 70"	
15" x 30", 15" x 50", 15" x 60", 15" x 70"	

Order H x W



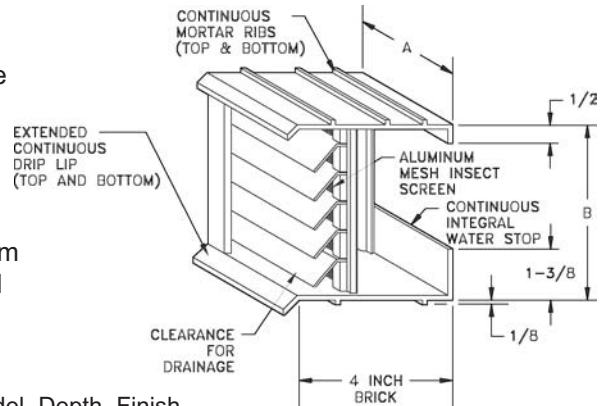
Duct Opening Sizing		
Listed Height Size	Duct Opening Height	Duct Opening Width
6	Listed Size Plus $\frac{5}{8}$	Listed Size Plus $1\frac{1}{8}$
10	Listed Size Plus $\frac{3}{8}$	Listed Size Plus $1\frac{1}{8}$
12	Listed Size Plus $\frac{3}{8}$	Listed Size Plus $1\frac{1}{8}$
15	Listed Size Plus $\frac{3}{8}$	Listed Size Plus $1\frac{1}{8}$

Other sizes not available.



BV Brick/Block Vent

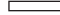











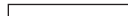


- Extruded aluminum construction
- Standard masonry size
- Maximum water protection
- 6063-T5 extruded aluminum alloy
- 18 x 16 mesh aluminum insect screen standard
- 4" standard depth
- Satin Anodized finish



Note: To order specify Model, Depth, Finish

Example: BV168 4 SA

DIMENSIONS/FREE AREA

	BV Model	Masonry Opening Size	A Width Inches	B Height Inches	Free Area Sq. Ft.
STANDARD BRICK	802	ONE BRICK 	8	2 1/2	.01
	805	TWO BRICK 	8	4 3/4	.06
	162	TWO BRICK 	16 3/8	2 1/2	.02
	808	THREE BRICK 	8	7 1/2	.13
	242	THREE BRICK 	24 3/4	2 1/2	.04
	165	FOUR BRICK 	16 3/8	4 3/4	.14
	168	SIX BRICK 	16 3/8	7 1/2	.30
	245	SIX BRICK 	24 3/4	4 3/4	.23
	248	NINE BRICK 	24 3/4	7 1/2	.50
JUMBO BRICK	122	ONE JUMBO 	11 5/8	2 1/2	.02
	125	TWO JUMBO 	11 5/8	4 3/4	.10
	128	THREE JUMBO 	11 5/8	7 1/2	.21
MODULAR BLOCK	158	STANDARD BLOCK 	15 1/2	7 1/2	.30
	318	TWO STANDARD BLOCK 	31 3/8	7 1/2	.66
	168	JUMBO BLOCK 	16 3/8	7 1/2	.30

Notes:

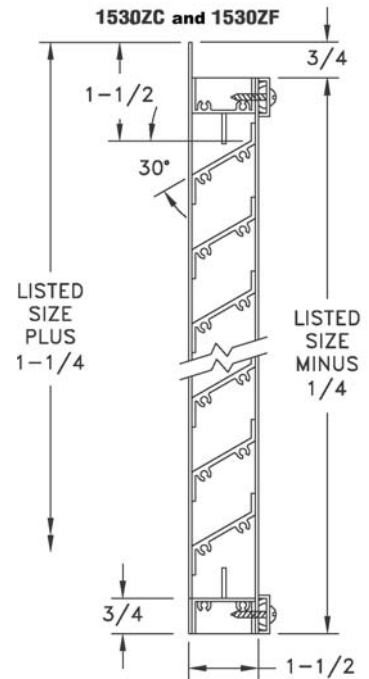
1. Brick/Block vent depths are identical with or without the optional opposed-blade damper.
2. Contact factory regarding applications requiring custom size widths and/or heights.
3. Masonry opening sizes listed are representative of the blocks or bricks shown. Field dimensions must be verified to guarantee fit.



1530ZC Shown

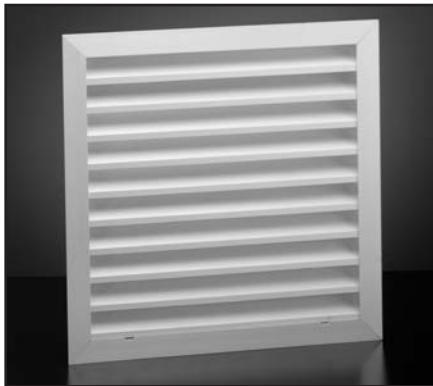
1530ZC Stationary Louver

- Extruded aluminum construction
- Fixed Z blade louver
- Blades at 30-degree angle
- 1 1/2" louver depth
- Channel frame
- Available with bird screen or insect screen
- Mill finish standard



1530ZF Stationary Louver

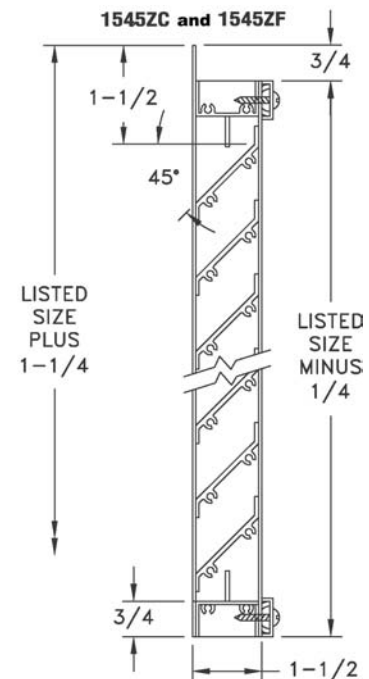
- Extruded aluminum construction
- Fixed Z blade louver
- Blades at 30-degree angle
- 1 1/2" louver depth
- Flange frame
- Available with bird screen or insect screen
- Mill finish standard



1545ZF Shown

1545ZC Stationary Louver

- Extruded aluminum construction
- Fixed Z blade louver
- Blades at 45-degree angle
- 1 1/2" louver depth
- Channel frame
- Available with bird screen or insect screen
- Mill finish standard



1545ZF Stationary Louver

- Extruded aluminum construction
- Fixed Z blade louver
- Blades at 45-degree angle
- 1 1/2" louver depth
- Flange frame
- Available with bird screen or insect screen
- Mill finish standard



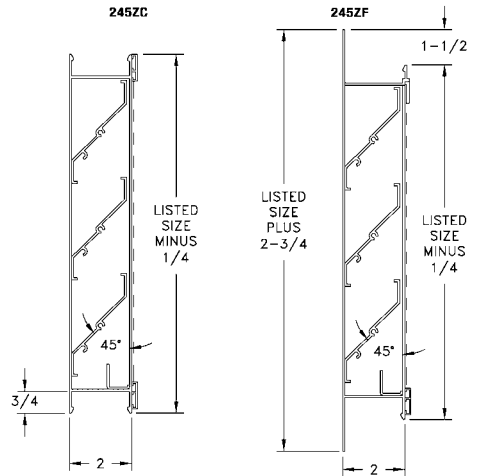
245ZF Shown

245ZC Stationary Louver

- Extruded aluminum construction
- Fixed-blade louver
- Blades at 45-degree angle
- 2" louver depth
- Channel frame
- Available with bird screen or insect screen
- Mill finish standard

245ZF Stationary Louver

- Extruded aluminum construction
- Fixed-blade louver
- Blades at 45-degree angle
- 2" louver depth
- Flange frame
- Available with bird screen or insect screen
- Mill finish standard



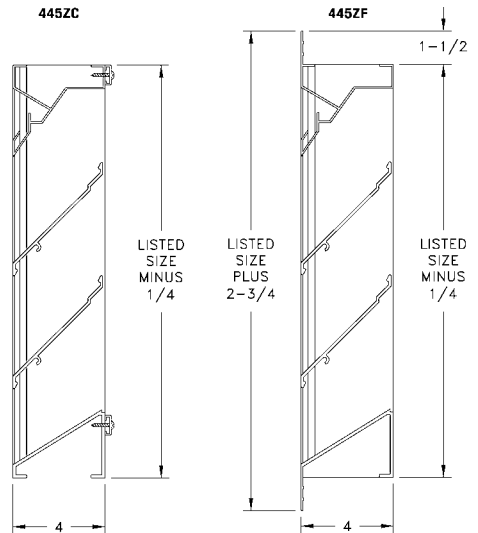
445ZF Shown

445ZC Stationary Louver

- Extruded aluminum construction
- Fixed-blade louver
- Blades at 45-degree angle
- 4" louver depth
- Channel frame
- Available with bird screen or insect screen
- Mill finish standard

445ZF Stationary Louver

- Extruded aluminum construction
- Fixed-blade louver
- Blades at 45-degree angle
- 4" louver depth
- Flange frame
- Available with bird screen or insect screen
- Mill finish standard



4ABC Adjustable Louver

- Extruded aluminum construction
- Adjustable baffle blades on 4" centers
- 4" louver depth
- Channel frame
- Max. one-piece size 60" W x 72" H
- Mill finish standard
- Lever activated, manually
- Blades open to 45°; closes fully

